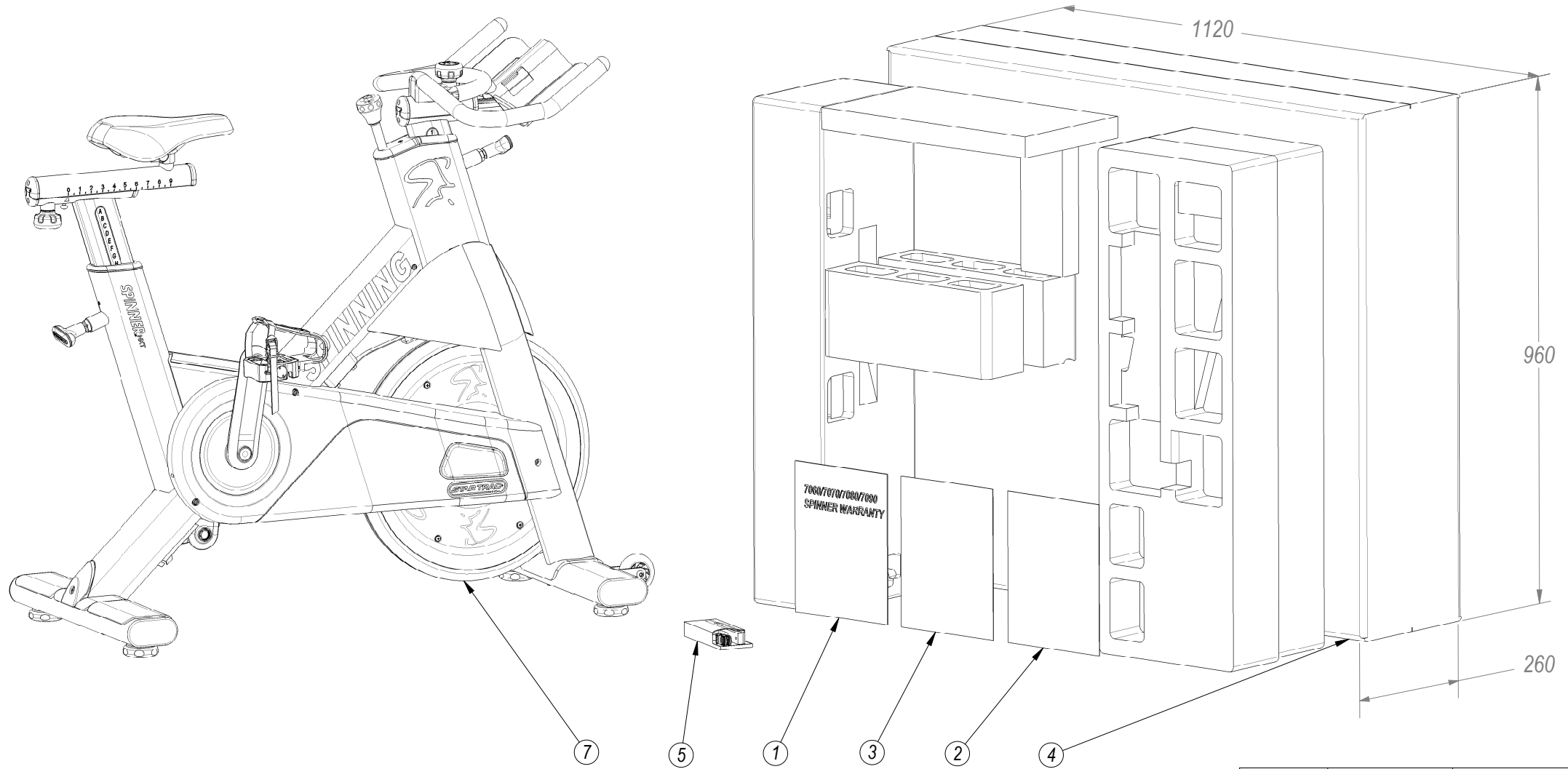


REVISION HISTORY				
REV	DATE	DESCRIPTION	ECO	BY
A	8/5/2011	PRODUCTION RELEASE	13511	DMM



ITEM NO.	PART NUMBER	DESCRIPTION	QTY.
1	620-7831	CARD,REGIST.,WARRANTY, SPINNER, 7060/7070/7080/7090	1
2	620-8006	MANUAL, SP INSTALLATION, NXT	1
3	620-8068	USER MANUAL, SPINNER PRO/NXT/BLADE	1
4	740-7316	CARTON, SPINNER NXT	1
5	740-7323	KIT, SPARE, BRAKE PAD	1
6	740-8182	STYROFOAM, PACKING, E-SP	1
7	740-8183	ASSY, SPINNER, NXT_SR	1

**NOTICE OF PROPRIETARY INFORMATION**  
 THIS DOCUMENT SHALL NOT BE REPRODUCED NOR SHALL THE INFORMATION CONTAINED HEREIN BE USED BY OR DISCLOSED TO OTHER EXCEPT AS EXPRESSLY AUTHORIZED BY CORE INDUSTRIES INC, D.B.A. STAR TRAC.

**DOCUMENT STATUS:**

**NOTES:**  
 1. SHIPPING WEIGHT: 145 LBS.

CLASS OF WORK	UNLESS OTHERWISE SPECIFIED DIMS ARE IN mm. TOLERANCES FOR MEASURE OF LENGTH ARE:							ANGLES = ±2°
	0.5 to 3	> 3 to 6	> 6 to 30	> 30 to 120	> 120 to 400	> 400 to 1000	> 1000 to 2000	
FINE	±0.05	±0.05	±0.1	±0.15	±0.2	±0.3	±0.5	----
MEDIUM	±0.1	±0.1	±0.2	±0.3	±0.5	±0.8	±1.2	±2
COARSE	±0.2	±0.3	±0.5	±0.8	±1.2	±2	±3	±4
VERY COARSE	----	±0.5	±1	±1.5	±2.5	±4	±6	±8

**MATERIAL**  
SEE BOM

**FINISH**  
N/A

**VENDOR:** N/A      **P/N:** N/A

THIRD ANGLE PROJECTION

DRAWN	INITIAL	DATE
CHECKED	DMM	08/05/2011
APPROVED		

**CORE IND INC., DBA** 14410 Myford Road  
 Irvine CA 92606

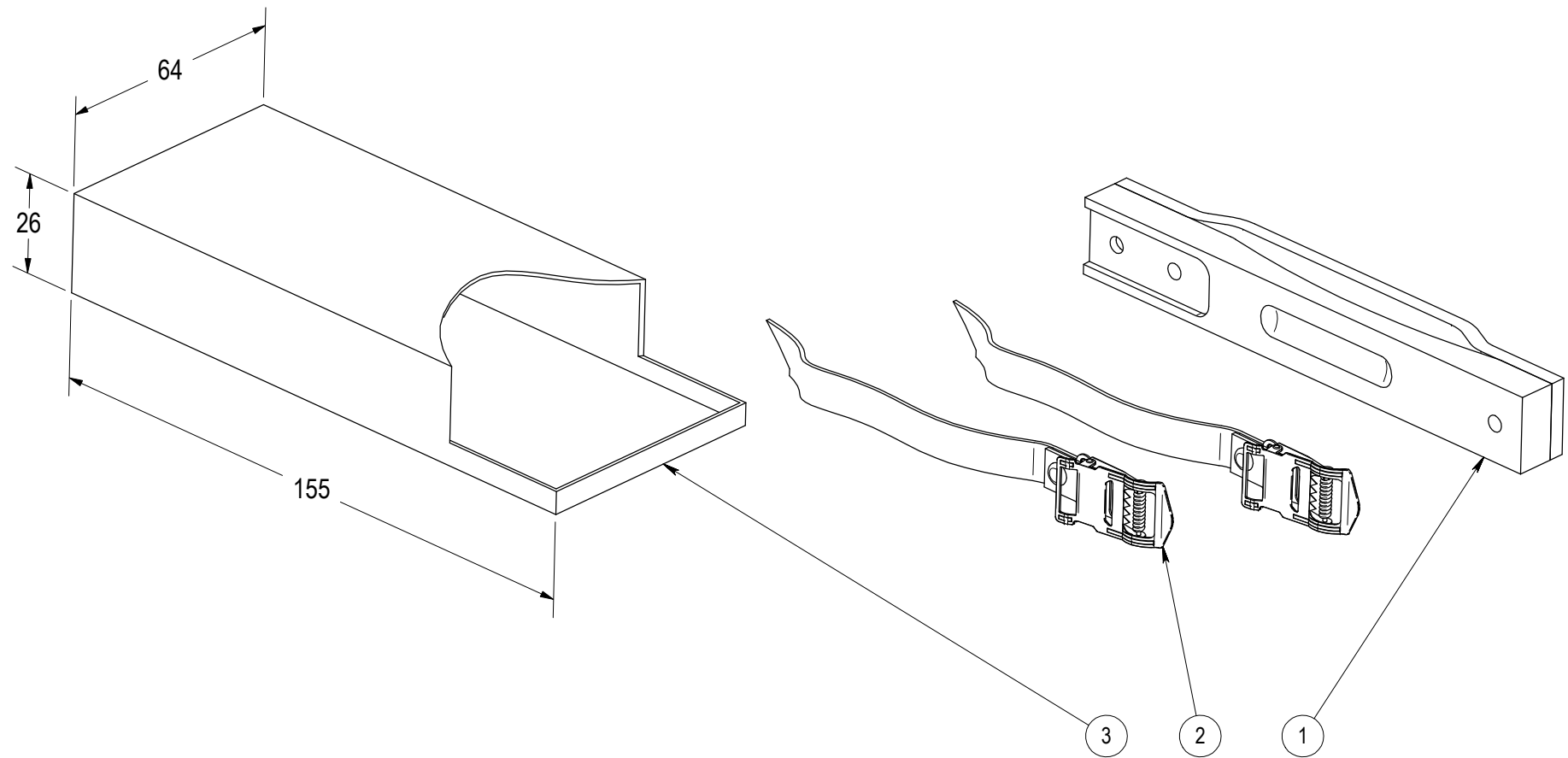
**STAR TRAC**

STAR TRAC PART NO. **9-7180-MINTPO** REV **A**

TITLE **SPINNER NXT, W/ SR**

U.O.M. MM SCALE: 1:10 | SHEET 1 OF 1 | SHEET SIZE: B

REVISION HISTORY				
REV	DATE	DESCRIPTION	ECO	BY
G	04-07-10	UPDATE EXPLODED VIEW, UPDATE BOM	13141	VW



ITEM NO.	PART NUMBER	DESCRIPTION	QTY.
1	740-6872	KIT, ASSY, PAD, BRAKE, SPINNER, 7090/80/70/60	1
2	740-7307	STRAP, PEDAL, PRO	2
3	740-7323-001	CARTON, SPARE KIT	1

**DOCUMENT STATUS:  
RELEASE**

NOTICE OF PROPRIETARY INFORMATION

THIS DOCUMENT SHALL NOT BE REPRODUCED NOR SHALL THE INFORMATION CONTAINED HEREIN BE USED BY OR DISCLOSED TO OTHER EXCEPT AS EXPRESSLY AUTHORIZED BY UNISEN INC, D.B.A. STAR TRAC.

CLASS OF WORK	UNLESS OTHERWISE SPECIFIED DIMS ARE IN mm. TOLERANCES FOR MEASURE OF LENGTH ARE:							ANGLES = ±2°		
	0.5 to 3	> 3 to 6	> 6 to 30	> 30 to 120	> 120 to 400	> 400 to 1000	> 1000 to 2000	> 2000		
FINE	±0.05	±0.05	±0.1	±0.15	±0.2	±0.3	±0.5	----		
MEDIUM	±0.1	±0.1	±0.2	±0.3	±0.5	±0.8	±1.2	±2		
COARSE	±0.2	±0.3	±0.5	±0.8	±1.2	±2	±3	±4		
VERY COARSE	----	±0.5	±1	±1.5	±2.5	±4	±6	±8		

**MATERIAL**  
SEE BOM

**FINISH**  
N/A

VENDOR: **N/A** P/N: **N/A**

THIRD ANGLE PROJECTION		
DRAWN	INITIAL DMM	DATE 12/10/09
CHECKED		
APPROVED		
	U.O.M.	MM

**UNISEN, INC. DBA** 14410 Myford Road  
Irvine CA 92606

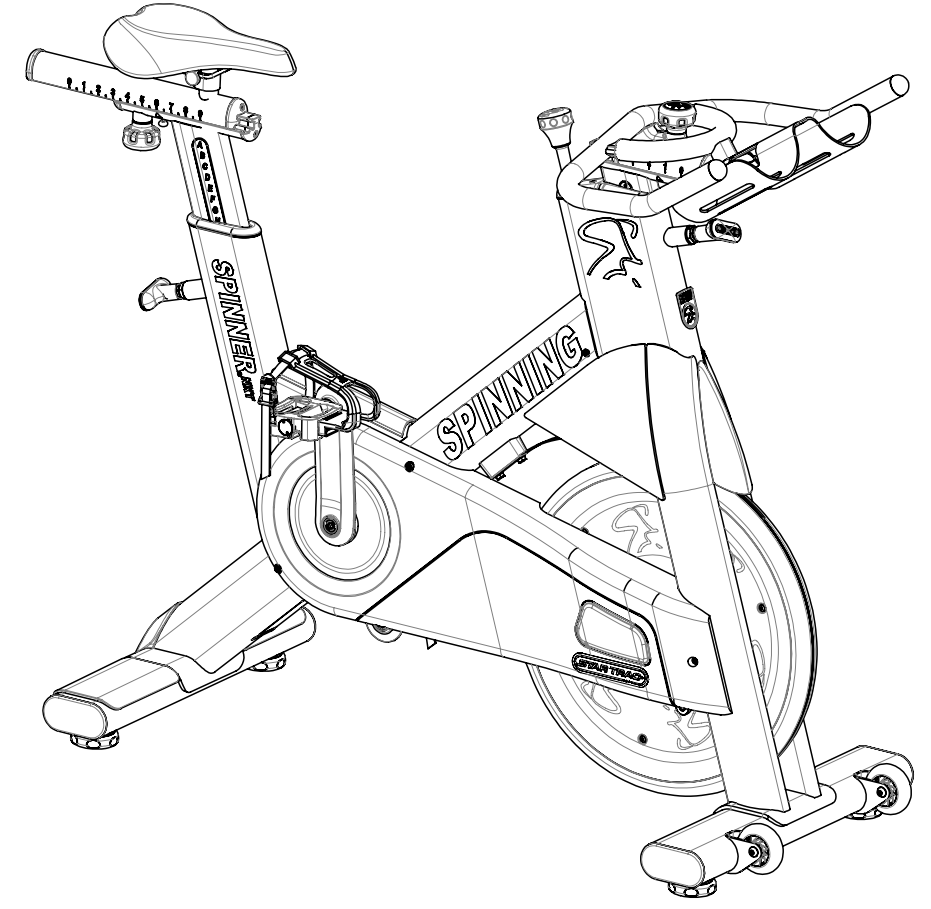
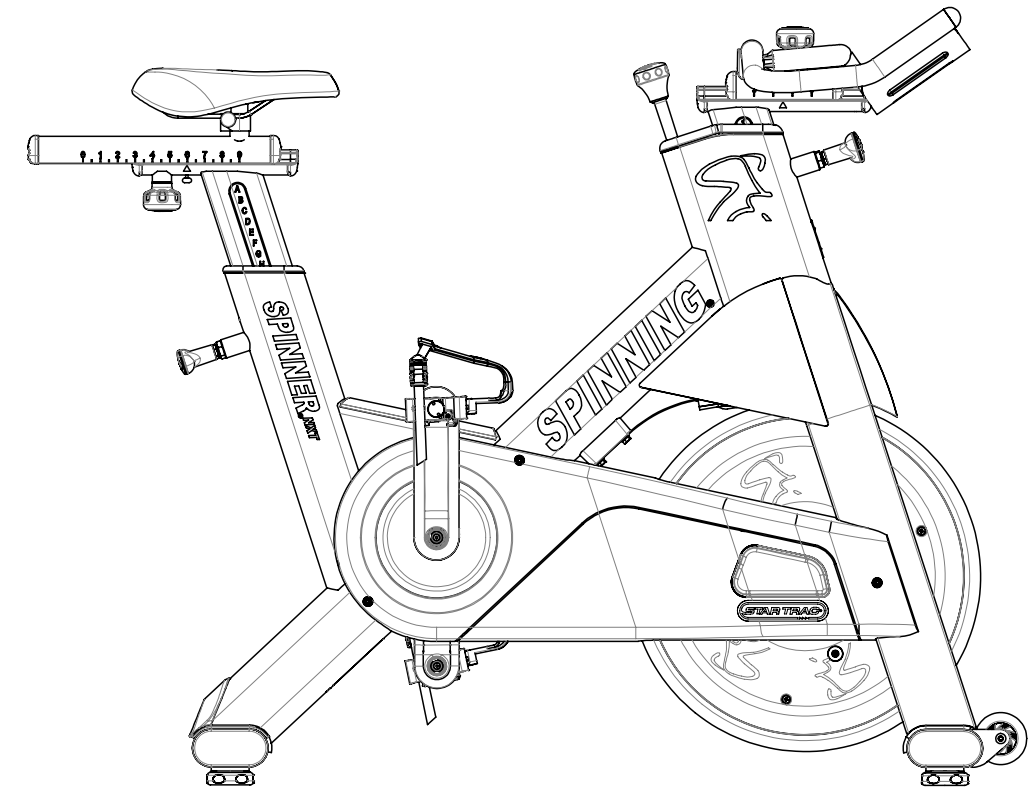
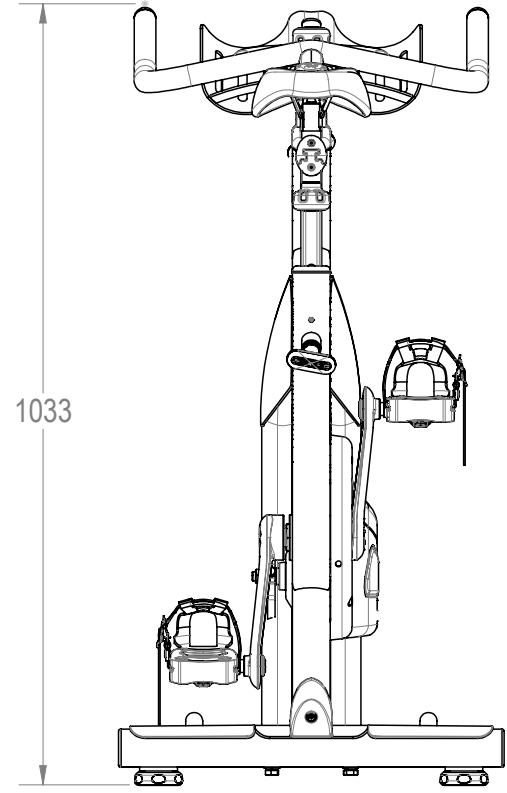
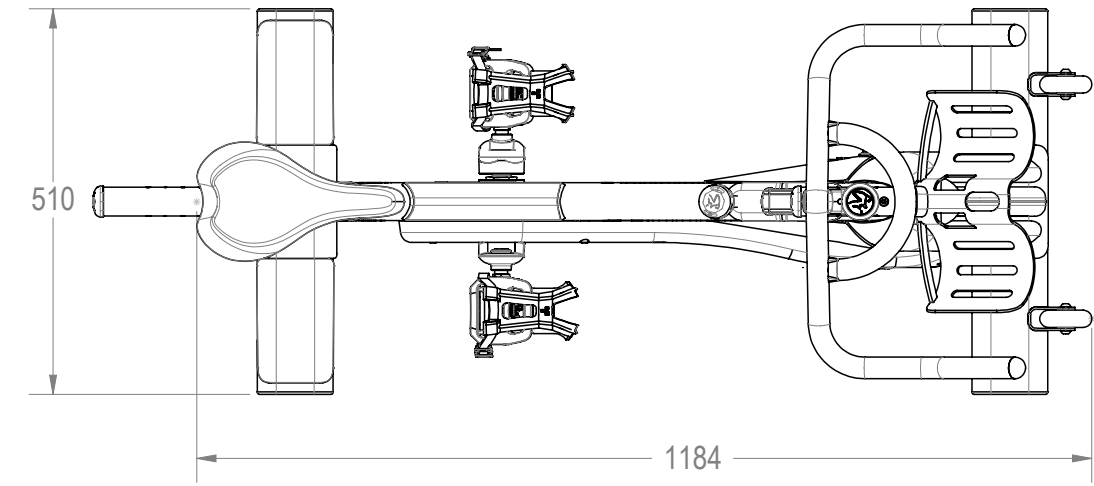
**STAR TRAC**

STARTRAC PART NO **740-7323** REV **G**

TITLE  
**KIT, SPARE, BRAKE PAD**

SCALE: 1:1.5 | SHEET 1 OF 1 | SHEET SIZE: B

REVISION HISTORY				
REV	DATE	DESCRIPTION	ECO	BY
A	08/05/2011	PRODUCTION RELEASE	13555	DMM
B	11/29/2011	REPLACE P/N 740-7817 WITH 740-6899; REPLACE P/N 740-7012 & 740-8001 WITH 740-8145 AND REMOVE P/N 740-7954 & 740-8000 FROM THE ASSEMBLY.	13595	SD
C	2/1/2012	UPDATED HANDLEBAR AND SEAT ASSY	13652	DMM
D	10/8/2013	CHANGE HANDLEBAR FROM 740-7589 TO 740-8619 . CHANGE 740-7601 TO 740-7601-XX AND 740-7564 TO 740-7564-XX. ADD 740-8269 AND 740-7304	14403	CRB



**DOCUMENT STATUS:**

-

NOTICE OF PROPRIETARY INFORMATION  
THIS DOCUMENT SHALL NOT BE REPRODUCED NOR SHALL THE INFORMATION CONTAINED HEREIN BE USED BY OR DISCLOSED TO OTHER EXCEPT AS EXPRESSLY AUTHORIZED BY CORE HEALTH & FITNESS, LLC.

CLASS OF WORK	UNLESS OTHERWISE SPECIFIED DIMS ARE IN mm. TOLERANCES FOR MEASURE OF LENGTH ARE:							ANGLES = ±2°
	0.5 to 3	> 3 to 6	> 6 to 30	> 30 to 120	> 120 to 400	> 400 to 1000	> 1000 to 2000	
FINE	±0.05	±0.05	±0.1	±0.15	±0.2	±0.3	±0.5	----
MEDIUM X	±0.1	±0.1	±0.2	±0.3	±0.5	±0.8	±1.2	±2
COARSE	±0.2	±0.3	±0.5	±0.8	±1.2	±2	±3	±4
VERY COARSE	----	±0.5	±1	±1.5	±2.5	±4	±6	±8

MATERIAL SEE BOM

FINISH N/A

VENDOR: N/A

P/N: N/A

THIRD ANGLE PROJECTION



DRAWN	INITIAL DMM	DATE 07/22/2010
CHECKED		
APPROVED		
	U.O.M.	MM

**CORE HEALTH & FITNESS, LLC**  
4400 NE 77th Ave., Suite 300  
Vancouver, WA 98662

CORE PART NO **740-8183** REV **D**

TITLE ASSY, SPINNER, NXT\_SR

SCALE: 1:10 | SHEET 1 OF 7 | SHEET SIZE: B

#	PART NUMBER	-XX	DESCRIPTION	Default/QTY.
1	050-2115		LABEL, COUNTRY OF ORIGIN	1
2	050-2125		LABEL, SERIAL NO., OEM UNIV	1
3	731-0373		WASHER,PLAIN,M6	2
4	731-0379		SCREW,M8 X1.25,20mm,SHC,HK	4
5	731-0561		WASHER,M8,1MM THK	4
6	731-0585		WASHER,M4	6
7	740-6899		CHAIN, 112 LINKS, TAYA 410H	1
8	740-7167		WASHER, LOCK, SPLIT, M6	2
9	740-7174		NUT, M6X1, HE, SS	2
10	740-7175		SCREW, M6X1.0X25, HHM, HE, SS	2
11	740-7176		SCREW, M6X1.0X50, HHM, HE, SS	1
12	740-7183		SCREW,M5X0.8X16,BHC,HE,SS	1
13	740-7193		LABEL, LOGO, STAR TRAC, SPINNER	2
14	740-7204		LOGO, SPINNING NXT, SEAT TUBE	2
15	740-7293		WASHER, ID 5.5MM, OD 13MM, SS	1
16	740-7413		LOGO, SPINNING, MAIN TUBE	2
17	740-7450		WASHER, FLAT, M5, SS	3
18	740-7548		SLEEVE, SEAT POST	1
19	740-7553		BEARING, 6005 SERIES, 25x47x12, 2RS	2
20	740-7554		B/B AXLE	1
21	740-7555		NUT, AXLE, B/B, M24x1.5	1
22	740-7558		END CAP, STABILIZER	2
23	740-7560		CRANK ARM, LEFT	1
24	740-7562		WELDMENT, FRAME, NXT	1
25	740-7564-XX	-29	WELDMENT, STABILIZER, REAR	1
26	740-7567		ASSY, STABILIZER, FRONT	1
27	740-7574		SLEEVE, SLIDER, HANDLEBAR	1
28	740-7586		WELDMENT, CRANK ARM	1
29	740-7588		COVER, GUSSET	1
30	740-7597		CAP, DOWNTUBE, RUBBER	1

#	PART NUMBER	-XX	DESCRIPTION	Default/QTY.
31	740-7601-XX	-40	CHAINGUARD, MAIN	1
32	740-7602		CHAINGUARD, INSIDE	1
33	740-7603		FINGERGUARD, SPROCKET, 52T	1
34	740-7604		FINGER GUARD, 16T SPROCKET	1
35	740-7608		PLATE, MOUNT, FINGERGUARD	1
36	740-7613		ASSY, PEDAL, L	1
37	740-7614		ASSY, PEDAL, R	1
38	740-7656		FEET, LEVELING, SPINNER	2
39	740-7667		ASSY, POP PIN	1
40	740-7685		BLOCK, BRAKE MOUNT	1
41	740-7780		SCREW, M4 X 0.7, 20mm, FHM, HE, SS	1
42	740-7796		SWEATGUARD, FORK	1
43	740-7799		ASSY, BRAKE PAD	1
44	740-7812		SCREW, M4x0.7, 16mm, PHMS, PH, SS	6
45	740-7916		M5 X 16MM, DOWEL PIN	2
46	740-7989		CAP, ACCESS, FLYWHEEL ADJ	1
47	740-7995		ASSY, BRAKE, ADJUSTMENT KNOB	1
48	740-7996		SCREW, M5 X 0.8, 30mm, SHCS, SS	2
49	740-7997		SCREW, M5 x 0.8, 16mm, SHCS, SS	1
50	740-7999		SCREW, M6X1.0X50, HHM, HE, SS	1
51	740-8002		SPACER, BEARING, BB SPINNER	1
52	740-8012		BAR, FRAME STIFFENER	1
53	740-8013		DECAL, SPINMAN, NXT	1
54	740-8014		DECAL, SPINMAN, NXT	1
55	740-8037		PAD, FEET PROTECTOR	2
56	740-8079		BADGE, SPINMAN	1
57	740-8100		ASSY, FLYWHEEL, W/CLUTCH, E-SP	1
58	740-8145		SCREW, M8x1.25, 14mm, BB AXLE	2
59	740-8619		ASSY, H-BAR&POST, 11 ADJ, NXT	1
60	740-8270		ASSY, SEAT W/ POST, NXT	1
61	740-8269		RIVET NUT, M5, OPEN-END	3
62	740-7304		NUT, RIVET, M6	2



**CORE HEALTH & FITNESS, LLC**  
 4400 NE 77th Ave., Suite 300  
 Vancouver, WA 98662

CORE PART NO	<b>740-8183</b>	REV	<b>D</b>
TITLE	ASSY, SPINNER, NXT_SR		
SCALE: 1:20	SHEET 2 OF 7	SHEET SIZE: B	

9 8 7 6 5 4 3 2 1

NOTES:

1. FOLLOW MFG SPEC ON PROPER INSTALLATION OF RIVET FASTENER
  2. CLEAN AREAS WITH DENATURED ALCOHOL PRIOR TO ADHERING LOGO'S AND LABELS
  3. TORQUE TO 11 ft-lbs / 15 N-m
  4. APPLY LOCTITE 242 OR 243, MED. STRENGTH THREAD LOCKER
  5. APPLY LOCTITE 609, RETAINING COMPOUND. FOR PROPER APPLICATION, FOLLOW LOCTITES ASSEMBLY INSTRUCTIONS
    - A. APPLY ON OUTER RACE
  6. DO NOT APPLY LOCTITE
  7. TORQUE TO 33-37 lb-ft/ 45-50 N-m
  8. TORQUE TO 48-50 lb-ft/ 65-67.8 N-m
- \* - PART OF TOOLKIT 740-8267

J  
I  
H  
G  
F  
E  
D  
C  
B  
A

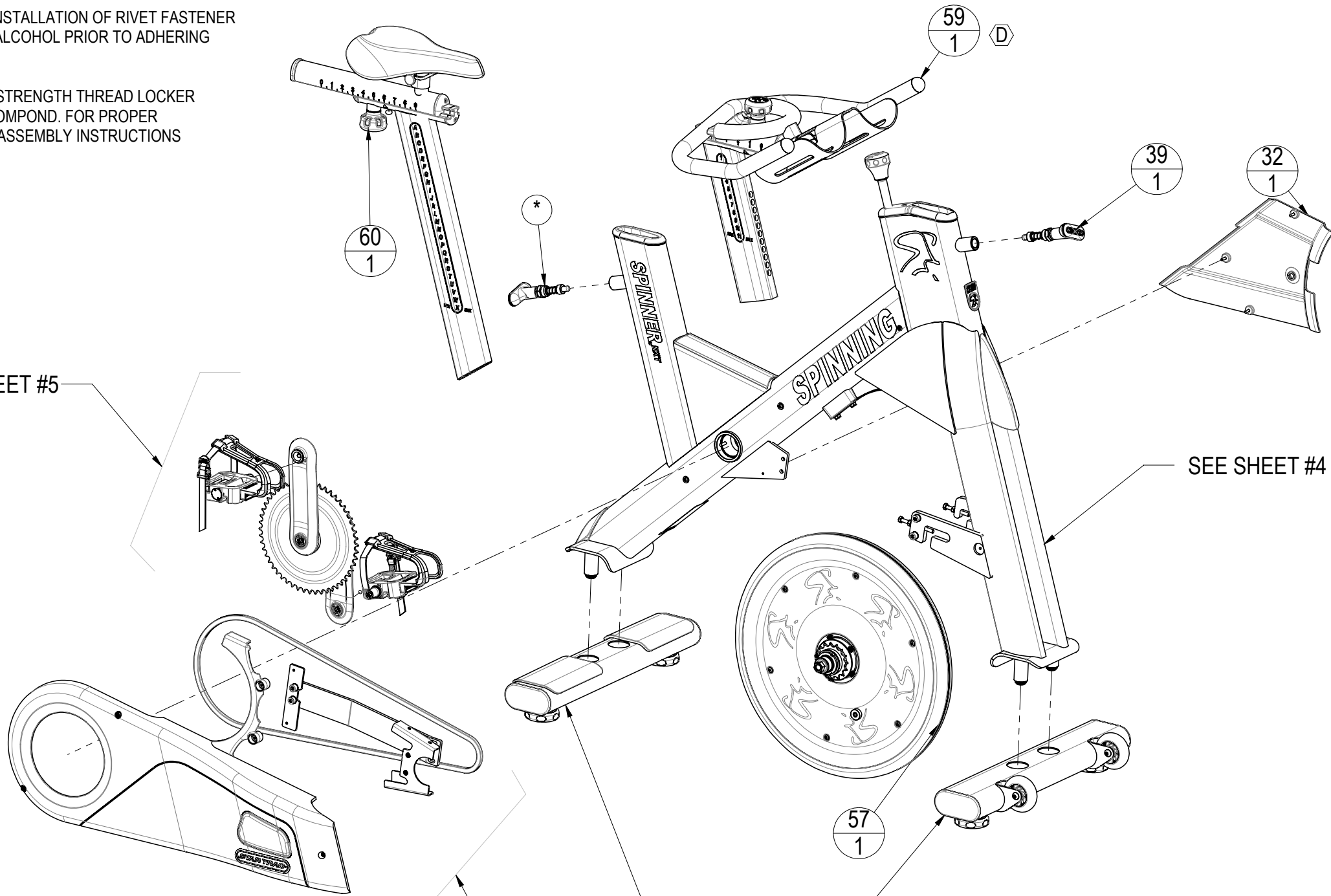
J  
I  
H  
G  
F  
E  
D  
C  
B  
A

SEE SHEET #5

SEE SHEET #4

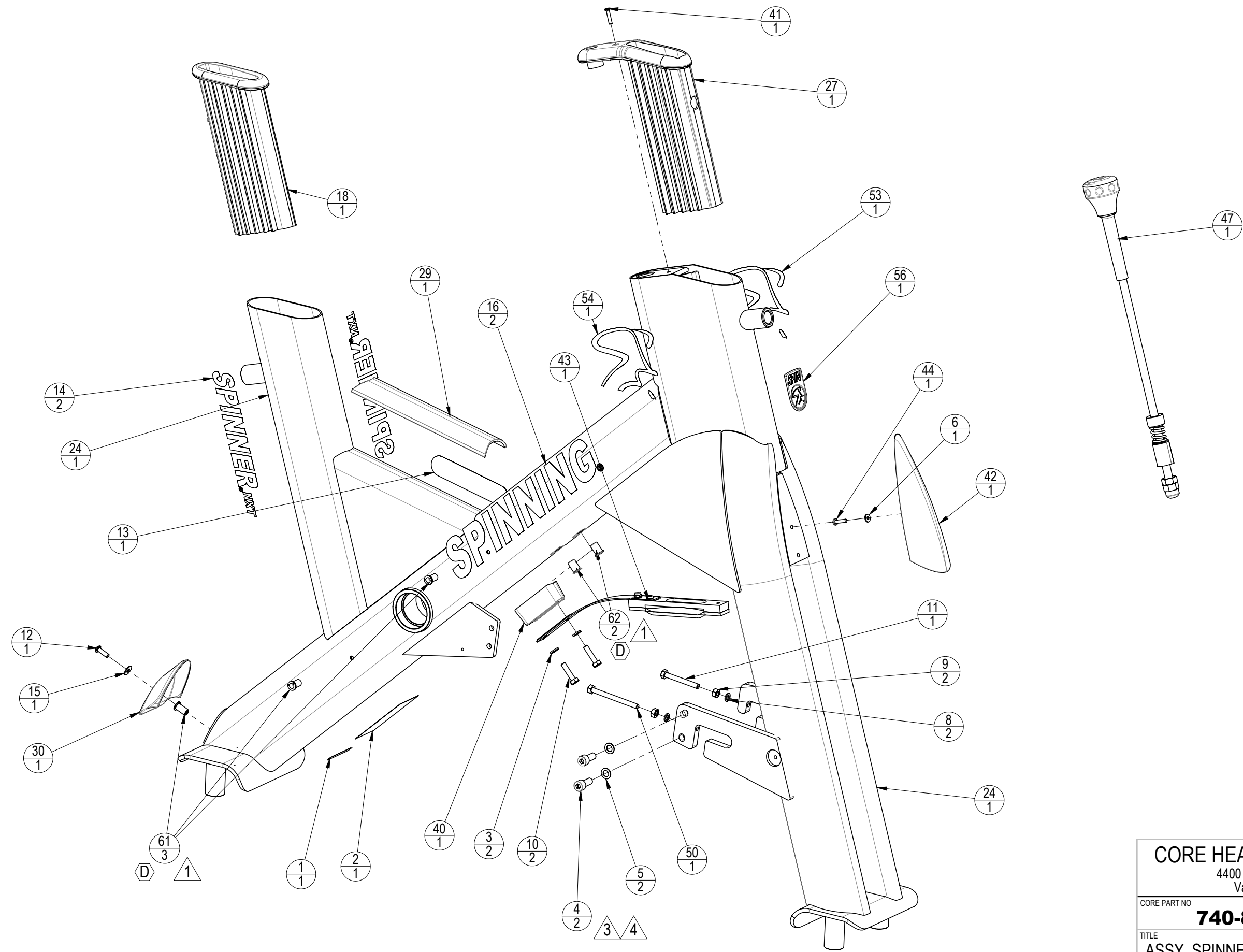
SEE SHEET #7

SEE SHEET #6



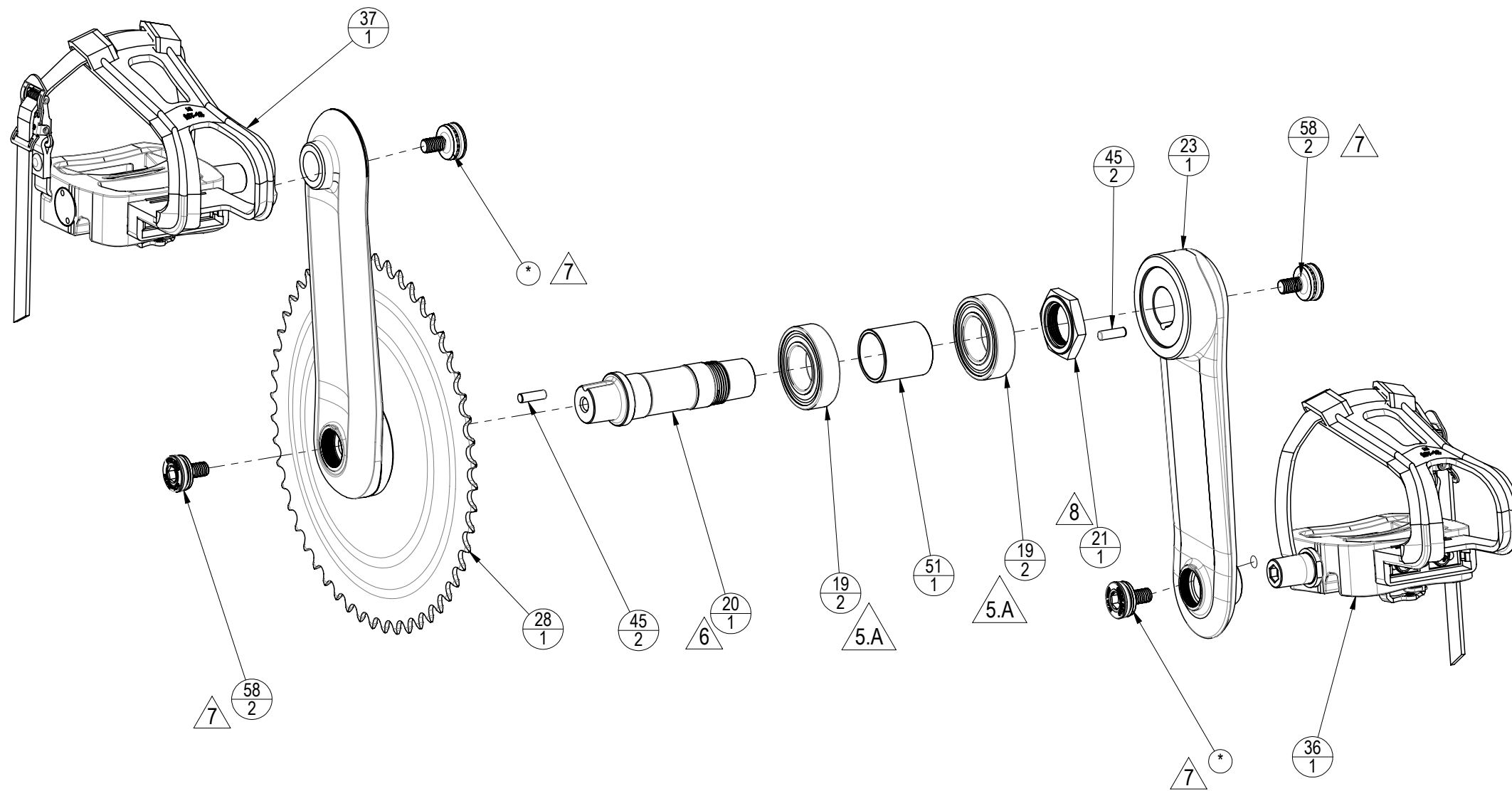
CORE HEALTH & FITNESS, LLC		
4400 NE 77th Ave., Suite 300 Vancouver, WA 98662		
CORE PART NO	<b>740-8183</b>	REV <b>D</b>
TITLE ASSY, SPINNER, NXT_SR		
SCALE: 1:8	SHEET 3 OF 7	SHEET SIZE: B

9 8 7 6 5 4 3 2 1



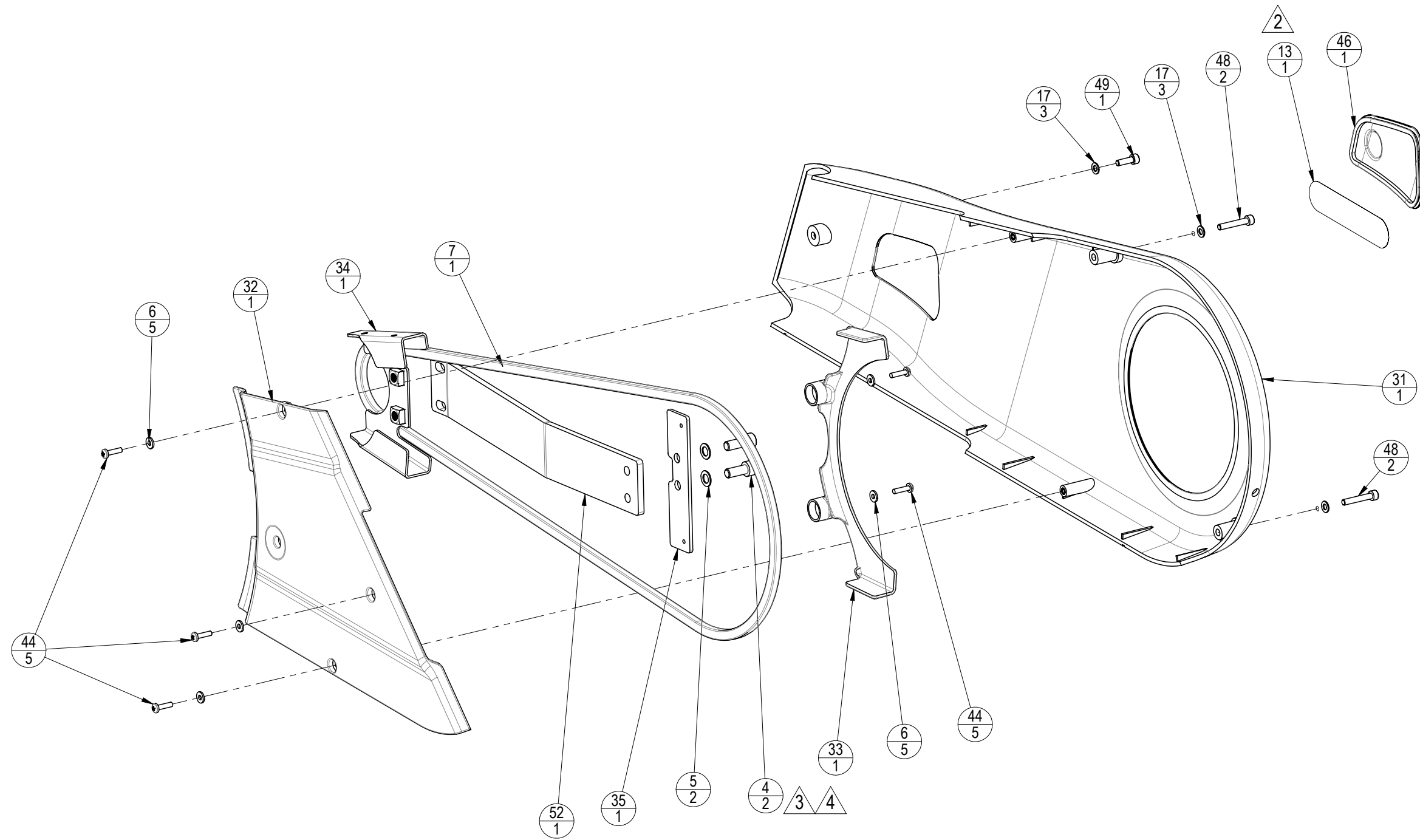
**CORE HEALTH & FITNESS, LLC**  
 4400 NE 77th Ave., Suite 300  
 Vancouver, WA 98662

CORE PART NO	<b>740-8183</b>	REV	<b>D</b>
TITLE <b>ASSY, SPINNER, NXT_SR</b>			
SCALE: 1:5	SHEET 4 OF 7	SHEET SIZE: B	



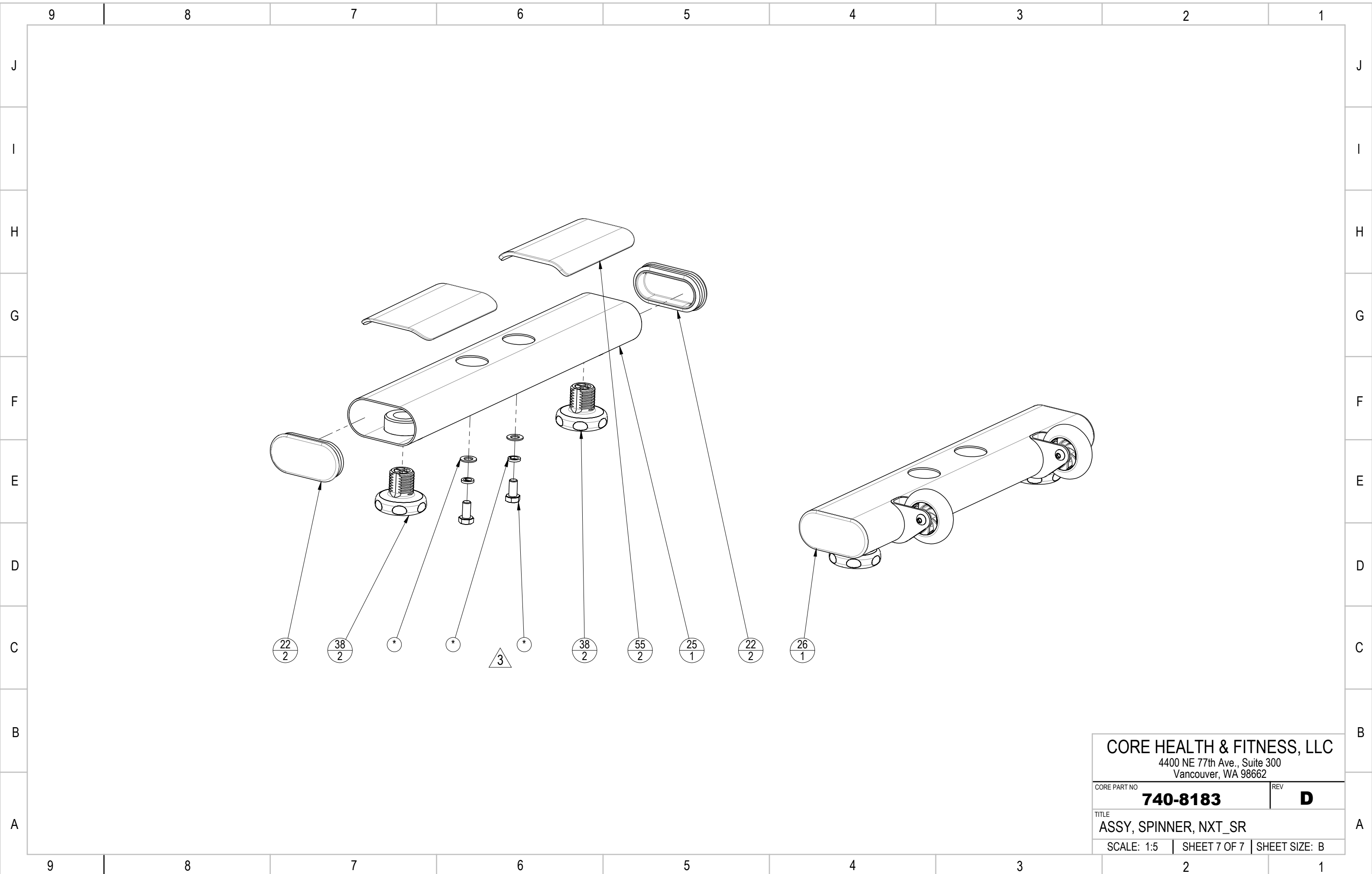
CORE HEALTH & FITNESS, LLC  
 4400 NE 77th Ave., Suite 300  
 Vancouver, WA 98662

CORE PART NO	<b>740-8183</b>	REV	<b>D</b>
TITLE ASSY, SPINNER, NXT_SR			
SCALE: 1:3	SHEET 5 OF 7	SHEET SIZE: B	



<b>CORE HEALTH &amp; FITNESS, LLC</b> 4400 NE 77th Ave., Suite 300 Vancouver, WA 98662		
CORE PART NO	<b>740-8183</b>	REV <b>D</b>
TITLE <b>ASSY, SPINNER, NXT_SR</b>		
SCALE: 1:5	SHEET 6 OF 7	SHEET SIZE: B

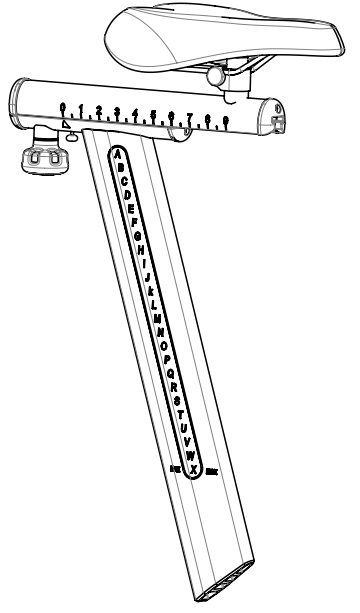
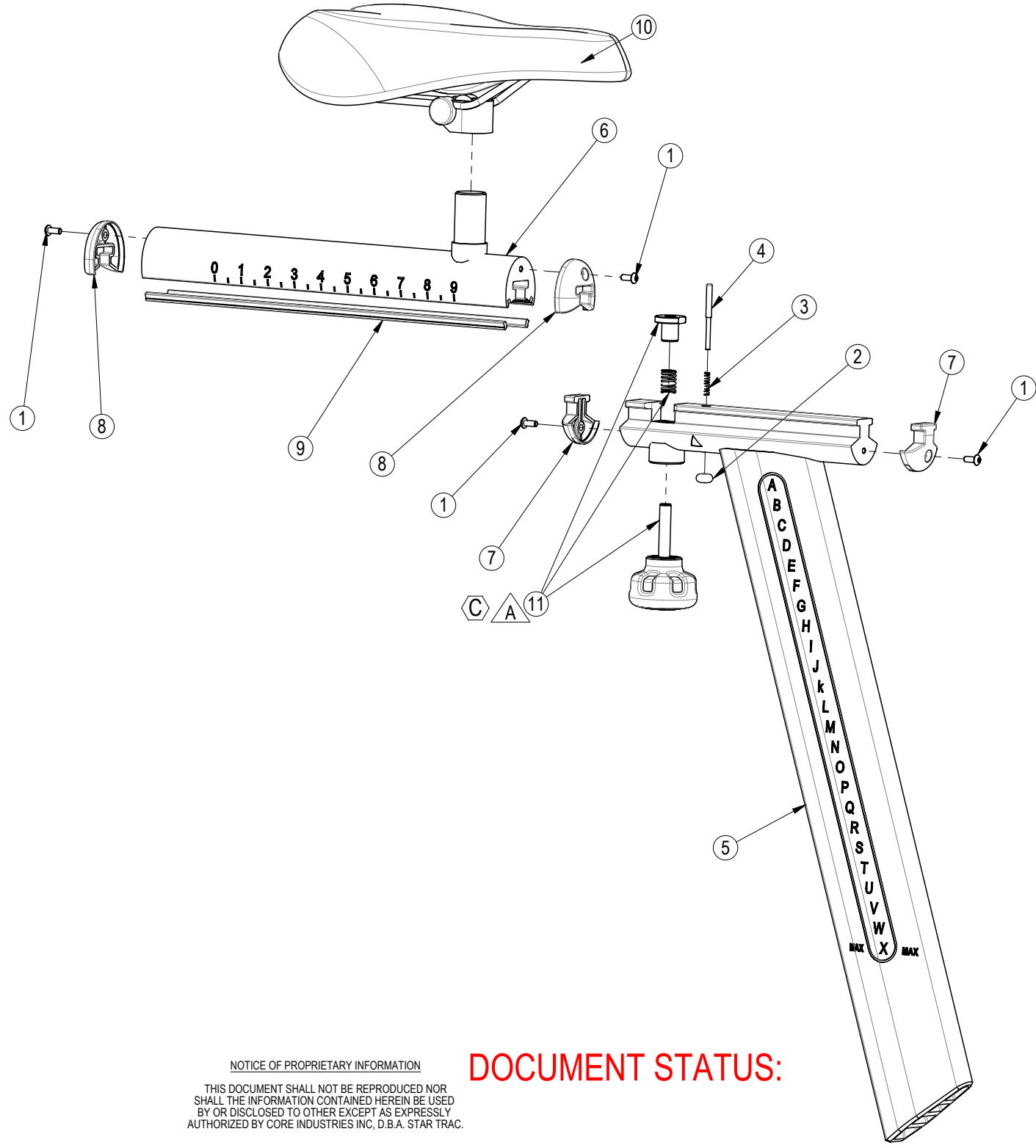




<b>CORE HEALTH &amp; FITNESS, LLC</b> 4400 NE 77th Ave., Suite 300 Vancouver, WA 98662		
CORE PART NO	<b>740-8183</b>	REV <b>D</b>
TITLE ASSY, SPINNER, NXT_SR		
SCALE: 1:5	SHEET 7 OF 7	SHEET SIZE: B

REVISION HISTORY				
REV	DATE	DESCRIPTION	ECO	BY
A	3/7/2011	PRODUCTION RELEASE	13486	DMM
B	7/28/2011	REMOVED 740-8003 AND 740-8004, REPLACED WITH 740-7651 AND 740-7652; ADDED 740-8076; 740-7649 NOW HAS 9 PT ADJUSTMENT	13555	DMM
C	3/23/2012	ADDED KIT 740-8263-KT	13720	DMM

J  
I  
H  
G  
F  
E  
D  
C  
B  
A



NOTICE OF PROPRIETARY INFORMATION  
 THIS DOCUMENT SHALL NOT BE REPRODUCED NOR SHALL THE INFORMATION CONTAINED HEREIN BE USED BY OR DISCLOSED TO OTHER EXCEPT AS EXPRESSLY AUTHORIZED BY CORE INDUSTRIES INC, D.B.A. STAR TRAC.

**DOCUMENT STATUS:**

ITEM NO.	PART NUMBER	DESCRIPTION	QTY
1	740-7181	SCREW, M4X0.7X10, BHC, HE, SS	4
2	740-7270	KNOB, SEAT SLIDER, STOPPER	1
3	740-7271	SPRING, SEAT SLIDER, NXT	1
4	740-7526	PIN, STOP, SEAT SLIDER	1
5	740-7565	WELDMENT, SEAT POST	1
6	740-7649	WELDMENT, SEAT SLIDER, SPINNER	1
7	740-7651	END CAP, SLIDER, MALE	2
8	740-7652	END CAP, SLIDER, FEMALE	2
9	740-8076	INSERT, SLIDER, HBAR AND SEAT	2
10	740-8077	SADDLE, SILVER, NXT	1
11	740-8263-KT	KIT, SEAT KNOB, F/A ADJUST, SPINNER	1

NOTES:  
 (C) (A) PART OF KIT 740-8263-KT.

CLASS OF WORK	UNLESS OTHERWISE SPECIFIED DIMS ARE IN mm. TOLERANCES FOR MEASURE OF LENGTH ARE:							ANGLES = ±2°
	0.5 to 3	>3 to 6	>6 to 30	>30 to 120	>120 to 400	>400 to 1000	>1000 to 2000	
FINE	±0.05	±0.05	±0.1	±0.15	±0.2	±0.3	±0.5	----
MEDIUM	±0.1	±0.1	±0.2	±0.3	±0.5	±0.8	±1.2	±2
COARSE	X ±0.2	±0.3	±0.5	±0.8	±1.2	±2	±3	±4
VERY COARSE	----	±0.5	±1	±1.5	±2.5	±4	±6	±8

MATERIAL SEE BOM  
 FINISH N/A  
 VENDOR: P/N:

THIRD ANGLE PROJECTION

CORE IND INC., DBA **STAR TRAC** 14410 Myford Road Irvine CA 92606

STAR TRAC PART NO **740-7566** REV **C**

TITLE **ASSY, SEAT POST**

U.O.M. MM SCALE: 1:10 | SHEET 1 OF 1 | SHEET SIZE: B

10 9 8 7 6 5 4 3 2 1

H NOTES:

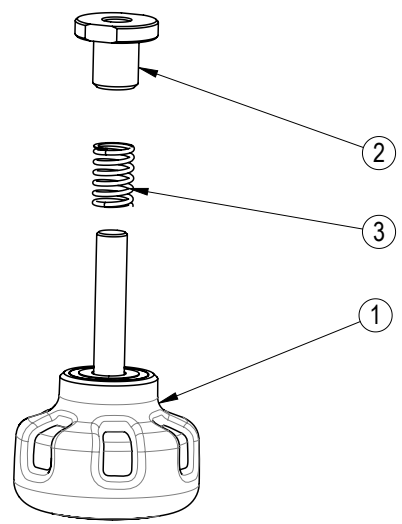
REVISION HISTORY				
REV	DATE	DESCRIPTION	ECO	BY
A	3/23/2012	PRODUCTION RELEASE	13720	DMM

G

F

E

D



C

B

A

CLASS OF WORK	FINE	MEDIUM	COARSE	VERY COARSE	
		±0.05	±0.1	±0.2	±0.5
		X			
UNLESS OTHERWISE SPECIFIED DIMS ARE IN mm. TOLERANCES FOR MEASURE OF LENGTH ARE: ANGLES ±2°	0.5 to 3	±0.05	±0.1	±0.2	---
	> 3 to 6	±0.05	±0.1	±0.3	±0.5
	> 6 to 30	±0.1	±0.2	±0.5	±1
	> 30 to 120	±0.15	±0.3	±0.8	±1.5
	> 120 to 400	±0.2	±0.5	±1.2	±2.5
	> 400 to 1000	±0.3	±0.8	±2	±4
	> 1000 to 2000	±0.5	±1.2	±3	±6
> 2000	---	±2	±4	±8	

**DOCUMENT STATUS:**

NOTICE OF PROPRIETARY INFORMATION  
 THIS DOCUMENT SHALL NOT BE REPRODUCED NOR SHALL THE INFORMATION CONTAINED HEREIN BE USED BY OR DISCLOSED TO OTHER EXCEPT AS EXPRESSLY AUTHORIZED BY CORE INDUSTRIES INC, D.B.A. STAR TRAC.

MATERIAL  
SEE BOM

FINISH  
N/A

VENDOR: N/A P/N: N/A

ITEM NO.	PART NUMBER	DESCRIPTION	QTY.
1	740-8263	KNOB, ADJUST, W/ BRASS INSERT	1
2	740-8329	HOLDING NUT, SEAT SLIDER, SPINNER	1
3	740-8330	SPRING, FORE/AFT ADJUST, SPINNER	1

THIRD ANGLE PROJECTION		
DRAWN	INITIAL DMM	DATE 03/22/12
CHECKED		
APPROVED		
	U.O.M.	MM

CORE INDUSTRIES INC., DBA  
 14410 Myford Road  
 Irvine CA 92606

STAR TRAC PART NO  
**740-8263-KT**

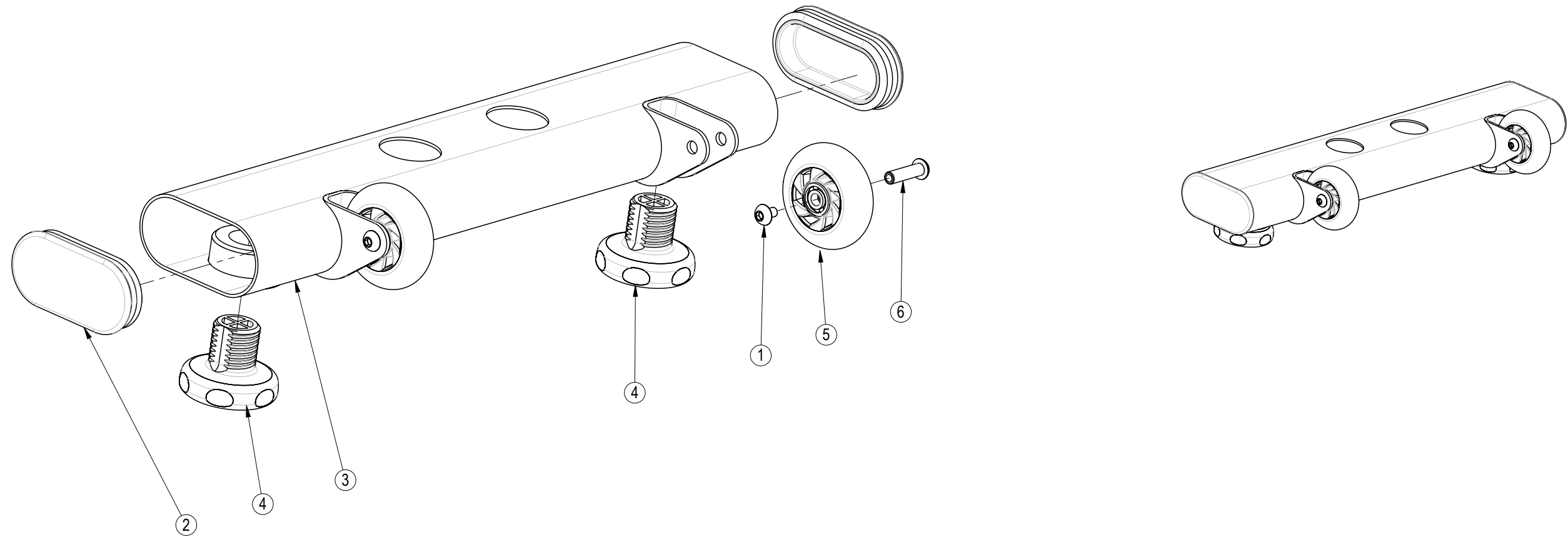
REV  
**A**

TITLE  
**KIT, SEAT KNOB, F/A ADJUST, SPINNER**

SCALE: 1:2 | SHEET 1 OF 1 | SHEET SIZE: A

10 9 8 7 6 5 4 3 2 1

REVISION HISTORY				
REV	DATE	DESCRIPTION	ECO	BY
A	3/7/2011	PRODUCTION RELEASE	13486	DMM



NOTICE OF PROPRIETARY INFORMATION  
 THIS DOCUMENT SHALL NOT BE REPRODUCED NOR  
 SHALL THE INFORMATION CONTAINED HEREIN BE USED  
 BY OR DISCLOSED TO OTHER EXCEPT AS EXPRESSLY  
 AUTHORIZED BY CORE INDUSTRIES INC, D.B.A. STAR TRAC.

**DOCUMENT STATUS:**

ITEM NO.	PART NUMBER	DESCRIPTION	QTY
1	740-7187	SCREW, M6X1.25X10, BHC, HE, SS	2
2	740-7558	END CAP, STABILIZER	2
3	740-7568	WELD, FRONT STABILIZER	1
4	740-7656	FEET, LEVELING, SPINNER	2
5	740-8006	WHEEL, FRONT FOOT, SPINNER	2
6	740-8007	BOLT, WHEEL, NXT	2

NOTES:

CLASS OF WORK	UNLESS OTHERWISE SPECIFIED DIMS ARE IN mm. TOLERANCES FOR MEASURE OF LENGTH ARE:								ANGLES = ±2°
	0.5 to 3	> 3 to 6	> 6 to 30	> 30 to 120	> 120 to 400	> 400 to 1000	> 1000 to 2000	> 2000	
FINE	±0.05	±0.05	±0.1	±0.15	±0.2	±0.3	±0.5	----	
MEDIUM	±0.1	±0.1	±0.2	±0.3	±0.5	±0.8	±1.2	±2	
COARSE	X ±0.2	±0.3	±0.5	±0.8	±1.2	±2	±3	±4	
VERY COARSE	----	±0.5	±1	±1.5	±2.5	±4	±6	±8	

MATERIAL  
SEE BOM

FINISH  
N/A

VENDOR: N/A

P/N: N/A

THIRD ANGLE PROJECTION



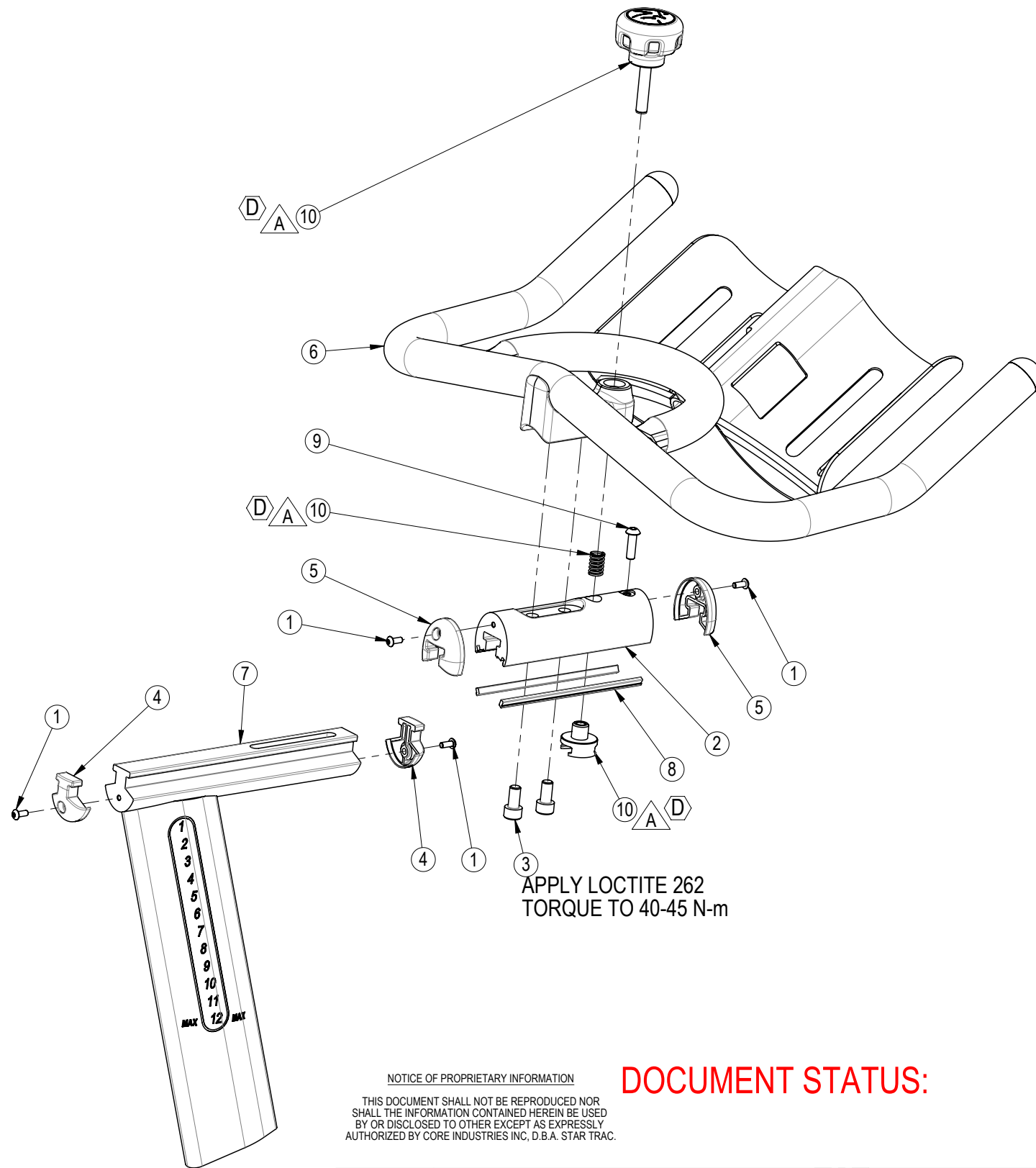
DRAWN	INITIAL DMM	DATE 03/07/2011
CHECKED		
APPROVED		

CORE IND INC., DBA 14410 Myford Road  
 Irvine CA 92606

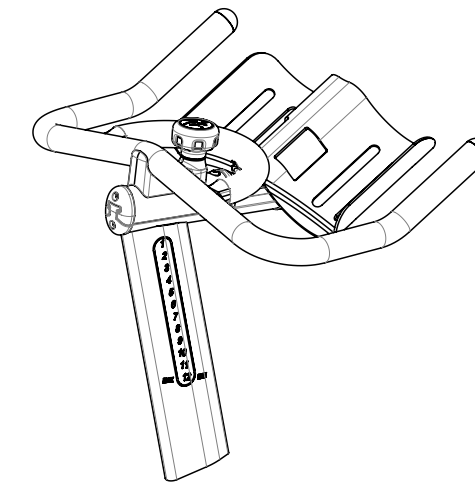
STAR TRAC PART NO. **740-7567** REV **A**

TITLE  
**ASSY, STABILIZER, FRONT**

U.O.M. MM SCALE: 1:3 | SHEET 1 OF 1 | SHEET SIZE: B



REVISION HISTORY				
REV	DATE	DESCRIPTION	ECO	BY
A	3/7/2011	PRODUCTION RELEASE	13486	DMM
B	7/28/2011	REMOVED 740-8003 AND 740-8004, REPLACED WITH 740-7651 AND 740-7652; 740-8177 WAS 740-8005; 740-7591 MODIFIED FOR LARGER SCREW; ADDED 740-8076	13555	DMM
C	11/7/2011	CHANGE FROM "SCREW, M8 X 20mm, BHS, HE, SS" TO "SCREW, M6 X1x20L, BH, HE, AS, BO"	13608	SD
D	3/23/2012	ADDED KIT 740-7626-KT	13720	DMM



APPLY LOCTITE 262  
TORQUE TO 40-45 N-m

NOTICE OF PROPRIETARY INFORMATION  
THIS DOCUMENT SHALL NOT BE REPRODUCED NOR SHALL THE INFORMATION CONTAINED HEREIN BE USED BY OR DISCLOSED TO OTHER EXCEPT AS EXPRESSLY AUTHORIZED BY CORE INDUSTRIES INC, D.B.A. STAR TRAC.

**DOCUMENT STATUS:**

ITEM NO.	PART NUMBER	DESCRIPTION	QTY
1	740-7181	SCREW, M4X0.7X10, BHC, HE, SS	4
2	740-7591	SLIDER, HANDLEBAR, TOP	1
3	740-7620	SCREW, M8X1.25, 20mm, SHCS	2
4	740-7651	END CAP, SLIDER, MALE	2
5	740-7652	END CAP, SLIDER, FEMALE	2
6	740-7673	WELDMENT, HANDLEBAR, PVC DIPPED	1
7	740-7678	WELDMENT, HBAR POST	1
8	740-8076	INSERT, SLIDER, HBAR AND SEAT	2
9	740-8177	SCREW, M6X1x20L, BH, HE, AS,BO	1
10	740-7626-KT	KIT, HBAR KNOB, F/A ADJUST, SPINNER	1

THIRD ANGLE PROJECTION



CORE IND INC., DBA 14410 Myford Road  
Irvine CA 92606  
**STAR TRAC**

DRAWN	INITIAL DMM	DATE 03/07/2011
CHECKED		
APPROVED		

STAR TRAC PART NO <b>740-7589</b>	REV <b>D</b>
TITLE <b>ASSY, HANDLEBAR, W/ FORE-AFT</b>	
U.O.M. MM	SCALE: 1:10   SHEET 1 OF 1   SHEET SIZE: B

NOTES:  
D A. PART OF KIT 740-7626-KT.

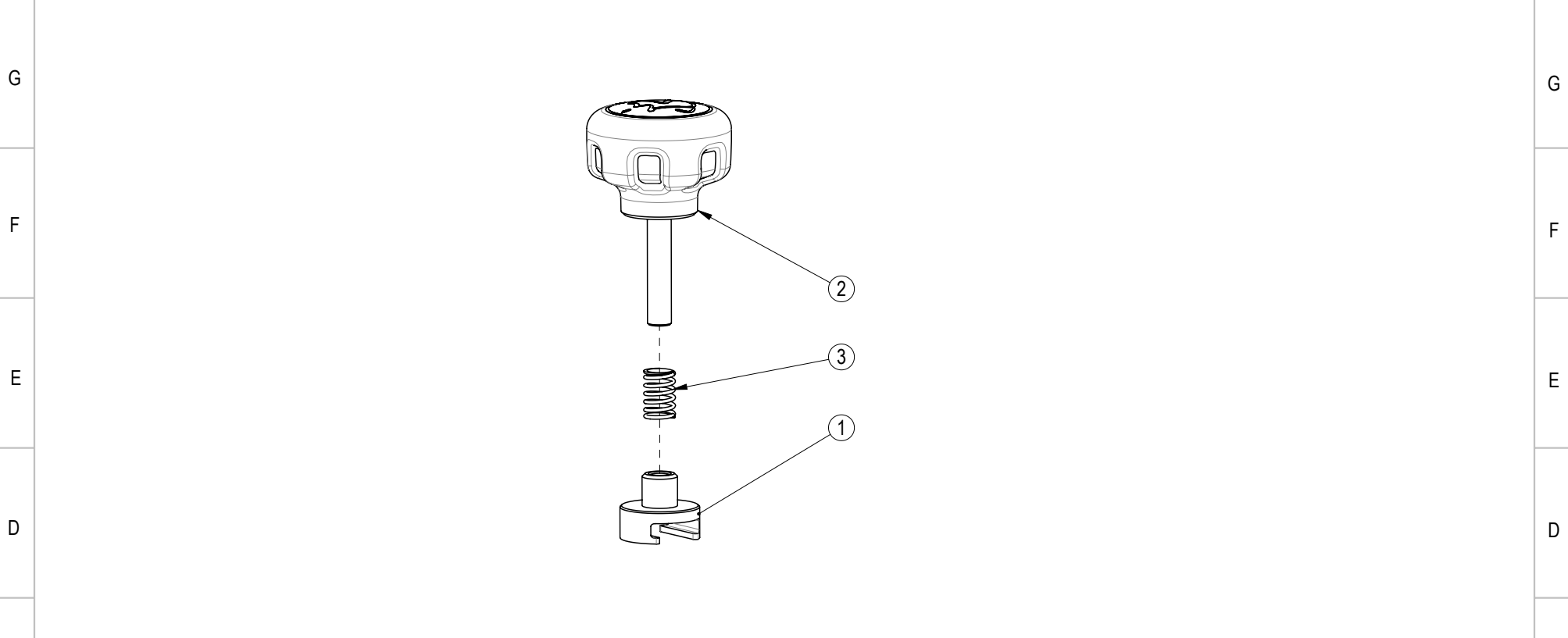
CLASS OF WORK	UNLESS OTHERWISE SPECIFIED DIMS ARE IN mm. TOLERANCES FOR MEASURE OF LENGTH ARE:							MATERIAL SEE BOM
	0.5 to 3	> 3 to 6	> 6 to 30	> 30 to 120	> 120 to 400	> 400 to 1000	> 1000 to 2000	
FINE	±0.05	±0.05	±0.1	±0.15	±0.2	±0.3	±0.5	----
MEDIUM	±0.1	±0.1	±0.2	±0.3	±0.5	±0.8	±1.2	±2
COARSE	X ±0.2	±0.3	±0.5	±0.8	±1.2	±2	±3	±4
VERY COARSE	----	±0.5	±1	±1.5	±2.5	±4	±6	±8

FINISH  
N/A

VENDOR: N/A P/N: N/A

H NOTES:

REVISION HISTORY				
REV	DATE	DESCRIPTION	ECO	BY
A	3/23/2012	PRODUCTION RELEASE	13270	DMM



CLASS OF WORK	FINE	MEDIUM	COARSE	VERY COARSE
		X		

UNLESS OTHERWISE SPECIFIED DIMS ARE IN mm. TOLERANCES FOR MEASURE OF LENGTH ARE: ANGLES ±2°	0.5 to 3	±0.05	±0.1	±0.2	----
	> 3 to 6	±0.05	±0.1	±0.3	±0.5
	> 6 to 30	±0.1	±0.2	±0.5	±1
	> 30 to 120	±0.15	±0.3	±0.8	±1.5
	> 120 to 400	±0.2	±0.5	±1.2	±2.5
	> 400 to 1000	±0.3	±0.8	±2	±4
	> 1000 to 2000	±0.5	±1.2	±3	±6
	> 2000	----	±2	±4	±8

**DOCUMENT STATUS:**

NOTICE OF PROPRIETARY INFORMATION  
 THIS DOCUMENT SHALL NOT BE REPRODUCED NOR SHALL THE INFORMATION CONTAINED HEREIN BE USED BY OR DISCLOSED TO OTHER EXCEPT AS EXPRESSLY AUTHORIZED BY CORE INDUSTRIES INC, D.B.A. STAR TRAC.

MATERIAL  
SEE BOM

FINISH  
N/A

VENDOR: N/A P/N: N/A

ITEM NO.	PART NUMBER	DESCRIPTION	QTY.
1	740-7626	HOLDING NUT, SEAT SLIDER, NXT/E-SPINNER	1
2	740-8263	KNOB, ADJUST, W/ BRASS INSERT	1
3	740-8330	SPRING, FORE/AFT ADJUST, SPINNER	1

THIRD ANGLE PROJECTION

DRAWN	INITIAL DMM	DATE 03/22/12
CHECKED		
APPROVED		
	U.O.M.	MM

CORE INDUSTRIES INC., DBA  
 14410 Myford Road  
 Irvine CA 92606

STAR TRAC PART NO  
**740-7626-KT**

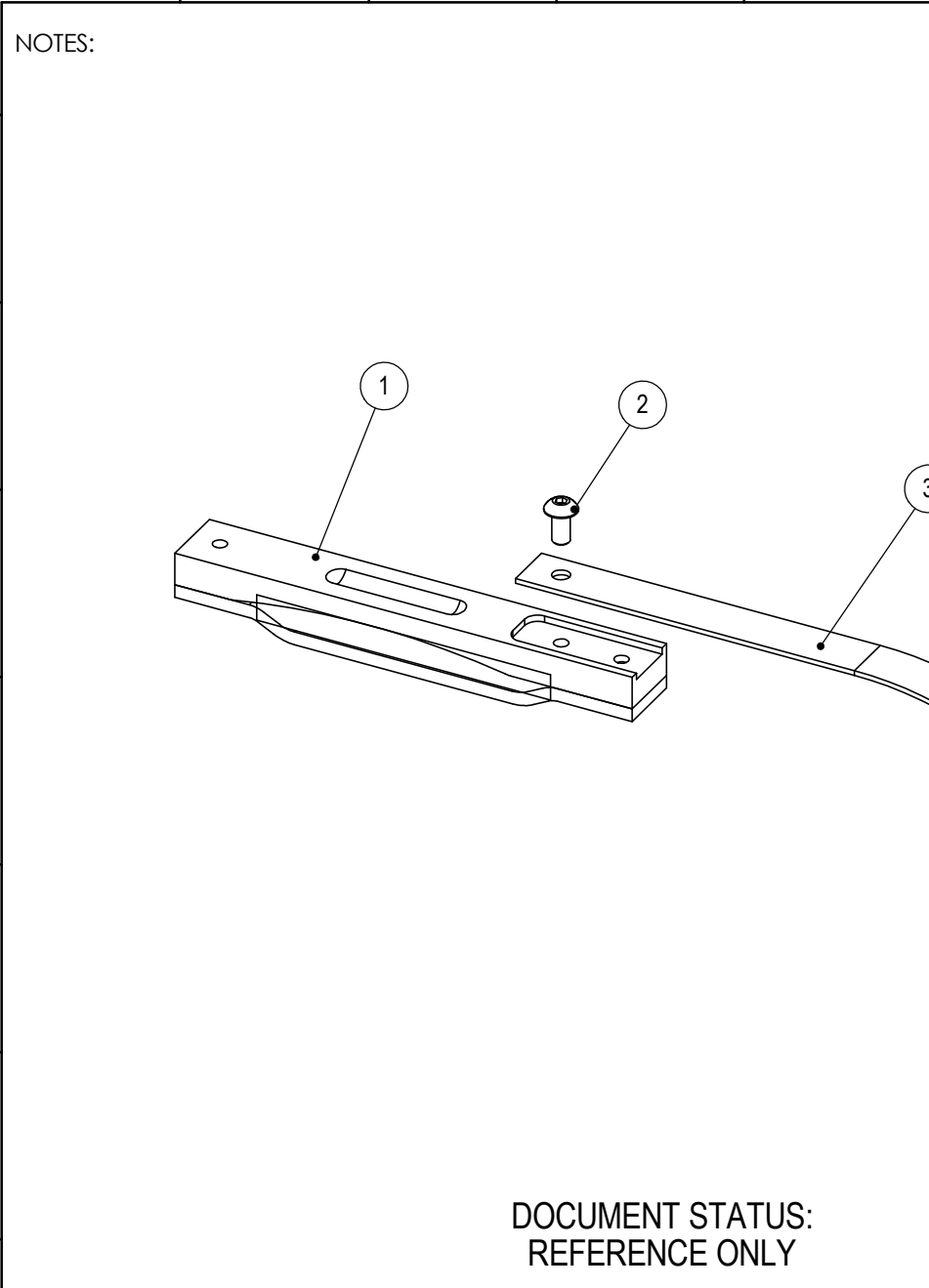
REV  
**A**

TITLE  
**KIT, HBAR KNOB, F/A ADJUST, SPINNER**

SCALE: 1:2 | SHEET 1 OF 1 | SHEET SIZE: A

10 9 8 7 6 5 4 3 2 1

H  
G  
F  
E  
D  
C  
B  
A



REVISION HISTORY				
REV	DATE	DESCRIPTION	ECO	BY
CS001	10/14/11	CUSTOMER SUPPORT REFERENCE RELEASE	N/A	JEB

ITEM NO.	PART NUMBER	DESCRIPTION	QTY.
1	740-6872	KIT, ASSY, PAD, BRAKE, SPINNER, 7090/80/70/60	1
2	740-7182	SCREW, M5X0.8X10, BHC, HE, SS	1
3	740-7798	PLATE, STRIP, BRAKE PAD	1

DOCUMENT STATUS:  
REFERENCE ONLY

THIRD ANGLE PROJECTION		
DRAWN	INITIAL JEB	DATE 10/14/11
CHECKED		
APPROVED		
	U.O.M.	INCH

**CORE INDUSTRIES, INC. DBA**  
  
 14410 Myford Road  
 Irvine CA 92606

STARTRAC PART NO. **740-7799** REV **003**

TITLE  
**ASSY, BRAKE PAD**

SCALE: 1:2 SHEET 1 OF 1 SHEET SIZE: A

NOTICE OF PROPRIETARY INFORMATION  
 THIS DOCUMENT SHALL NOT BE REPRODUCED NOR SHALL THE INFORMATION CONTAINED HEREIN BE USED BY OR DISCLOSED TO OTHER EXCEPT AS EXPRESSLY AUTHORIZED BY CORE INDUSTRIES, INC., D.B.A. STAR TRAC.

NOTICE OF REFERENCE ONLY  
 THIS DOCUMENT IS FOR REFERENCE ONLY. ANY AND ALL DIMENSIONS LISTED ON THIS DRAWING ARE FOR REFERENCE ONLY AND DO NOT DEFINE ANY MANUFACTURING SPECIFICATIONS OR DESIGN PARAMETERS FOR ANY COMPONENTS DISPLAYED IN THIS DRAWING. THIS DOCUMENT DOES NOT AUTHORIZE ANY ENGINEERING CHANGE ORDER, CHANGE REQUEST, AND/OR CHANGE NOTICE.

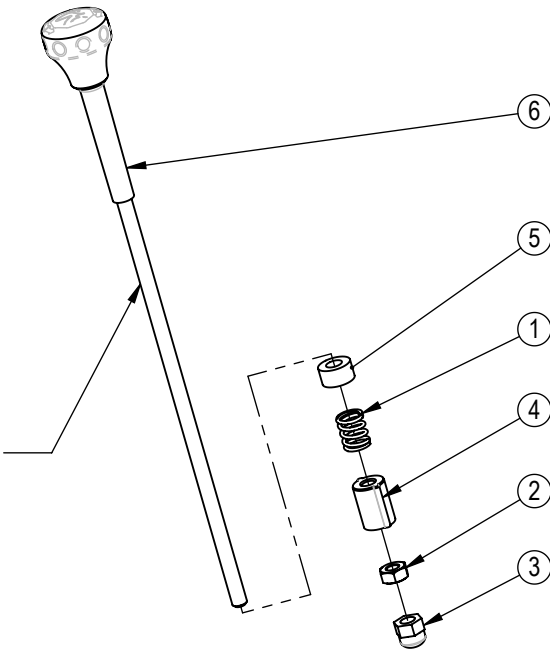
10 9 8 7 6 5 4 3 2 1

H  
G  
F  
E  
D  
C  
B  
A

NOTES:

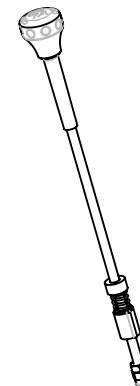
REVISION HISTORY				
REV	DATE	DESCRIPTION	ECO	BY
A	3/7/2011	PRODUCTION RELEASE	13486	DMM

APPLY HIGH QUALITY MOLY-BASED LITHIUM GREASE TO ENTIRE LENGTH OF THREAD



APPLY GREASE TO INSIDE AND OUTSIDE OF ITEM **740-7573**

TORQUE TO 80-85 N-m



**DOCUMENT STATUS:**

NOTICE OF PROPRIETARY INFORMATION

THIS DOCUMENT SHALL NOT BE REPRODUCED NOR SHALL THE INFORMATION CONTAINED HEREIN BE USED BY OR DISCLOSED TO OTHER EXCEPT AS EXPRESSLY AUTHORIZED BY CORE INDUSTRIES INC, D.B.A. STAR TRAC.

MATERIAL  
SEE BOM

FINISH

VENDOR:

P/N:

ITEM NO.	PART NUMBER	DESCRIPTION	QTY
1	<b>740-7124</b>	SPRING, BRAKE KNOB	1
2	740-7178	NUT, M10X1.5, HE, SS	1
3	<b>740-7189</b>	NUT, M10X1.5, ACORN, SS	1
4	<b>740-7573</b>	BUSHING, THREADED, BRAKE	1
5	<b>740-7598</b>	CUSHION, BRAKE ASSY	1
6	<b>740-7669</b>	ASSY, KNOB, BRAKE, SPINNER	1

CLASS OF WORK	FINE	MEDIUM	COARSE	VERY COARSE
			X	

UNLESS OTHERWISE SPECIFIED DIMS ARE IN mm. TOLERANCES FOR MEASURE OF LENGTH ARE: ANGLES ±2°	0.5 to 3	±0.05	±0.1	±0.2	----
	> 3 to 6	±0.05	±0.1	±0.3	±0.5
> 6 to 30	±0.1	±0.2	±0.5	±1	
> 30 to 120	±0.15	±0.3	±0.8	±1.5	
> 120 to 400	±0.2	±0.5	±1.2	±2.5	
> 400 to 1000	±0.3	±0.8	±2	±4	
> 1000 to 2000	±0.5	±1.2	±3	±6	
> 2000	----	±2	±4	±8	

THIRD ANGLE PROJECTION



CORE IND INC., DBA  
**STAR TRAC**  
14410 Myford Road  
Irvine CA 92606

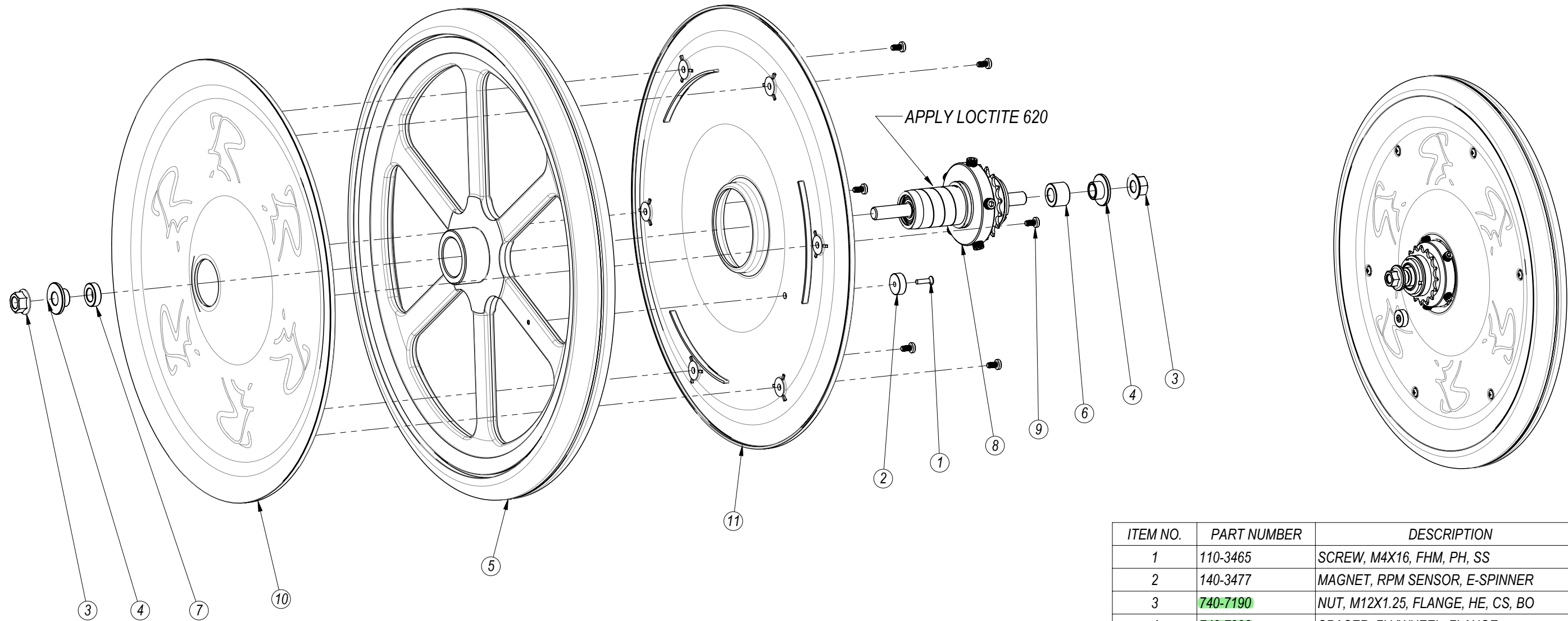
STAR TRAC PART NO **740-7995** REV **A**

TITLE  
**ASSY, BRAKE, ADJUSTMENT KNOB**

SCALE: 1:5 | SHEET 1 OF 1 | SHEET SIZE: A



REVISION HISTORY				
REV	DATE	DESCRIPTION	ECO	BY
A	7/27/2011	PRODUCTION RELEASE	13555	DMM



ITEM NO.	PART NUMBER	DESCRIPTION	QTY.
1	110-3465	SCREW, M4X16, FHM, PH, SS	1
2	140-3477	MAGNET, RPM SENSOR, E-SPINNER	1
3	740-7190	NUT, M12X1.25, FLANGE, HE, CS, BO	2
4	740-7998	SPACER, FLYWHEEL, FLANGE	2
5	740-8101	FLYWHEEL, eSPINNER	1
6	740-8149	SPACER, FLYWHEEL, R	1
7	740-8154	SPACER, FLYWHEEL, E-SP, L	1
8	740-8173	CLUTCH WHUB, FLYWHEEL, eSP	1
9	740-8174	SCREW, M4.8 X 10mm, PHT, PH, SS	6
10	740-8175	SHROUD, FLYWHEEL, L, E-SP	1
11	740-8176	SHROUD, FLYWHEEL, R, E-SP	1

NOTICE OF PROPRIETARY INFORMATION  
 THIS DOCUMENT SHALL NOT BE REPRODUCED NOR SHALL THE INFORMATION CONTAINED HEREIN BE USED BY OR DISCLOSED TO OTHER EXCEPT AS EXPRESSLY AUTHORIZED BY CORE INDUSTRIES INC, D.B.A. STAR TRAC.

**DOCUMENT STATUS:**

NOTES:

1. APPLY ABS-COMPATIBLE SILICONE SEALANT TO THE PERIPHERY OF ITEMS 10 AND 11 PRIOR TO ASSEMBLY.

CLASS OF WORK	UNLESS OTHERWISE SPECIFIED DIMS ARE IN mm. TOLERANCES FOR MEASURE OF LENGTH ARE:							ANGLES = ±2°
	0.5 to 3	> 3 to 6	> 6 to 30	> 30 to 120	> 120 to 400	> 400 to 1000	> 1000 to 2000	
FINE	±0.05	±0.05	±0.1	±0.15	±0.2	±0.3	±0.5	----
MEDIUM	±0.1	±0.1	±0.2	±0.3	±0.5	±0.8	±1.2	±2
COARSE	X ±0.2	±0.3	±0.5	±0.8	±1.2	±2	±3	±4
VERY COARSE	----	±0.5	±1	±1.5	±2.5	±4	±6	±8

MATERIAL SEE BOM

FINISH N/A

VENDOR:

P/N:

THIRD ANGLE PROJECTION



DRAWN	INITIAL	DATE
CHECKED	DMM	07/27/2011
APPROVED		

CORE IND INC., DBA **STAR TRAC** 14410 Myford Road Irvine CA 92606

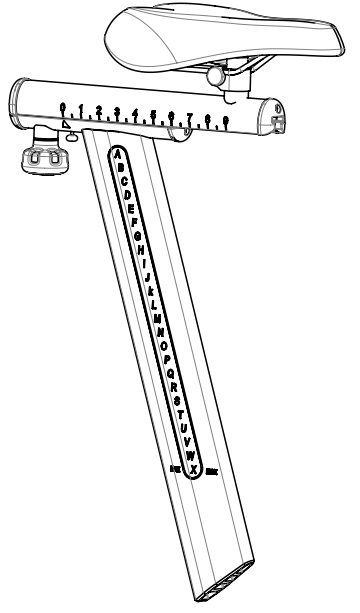
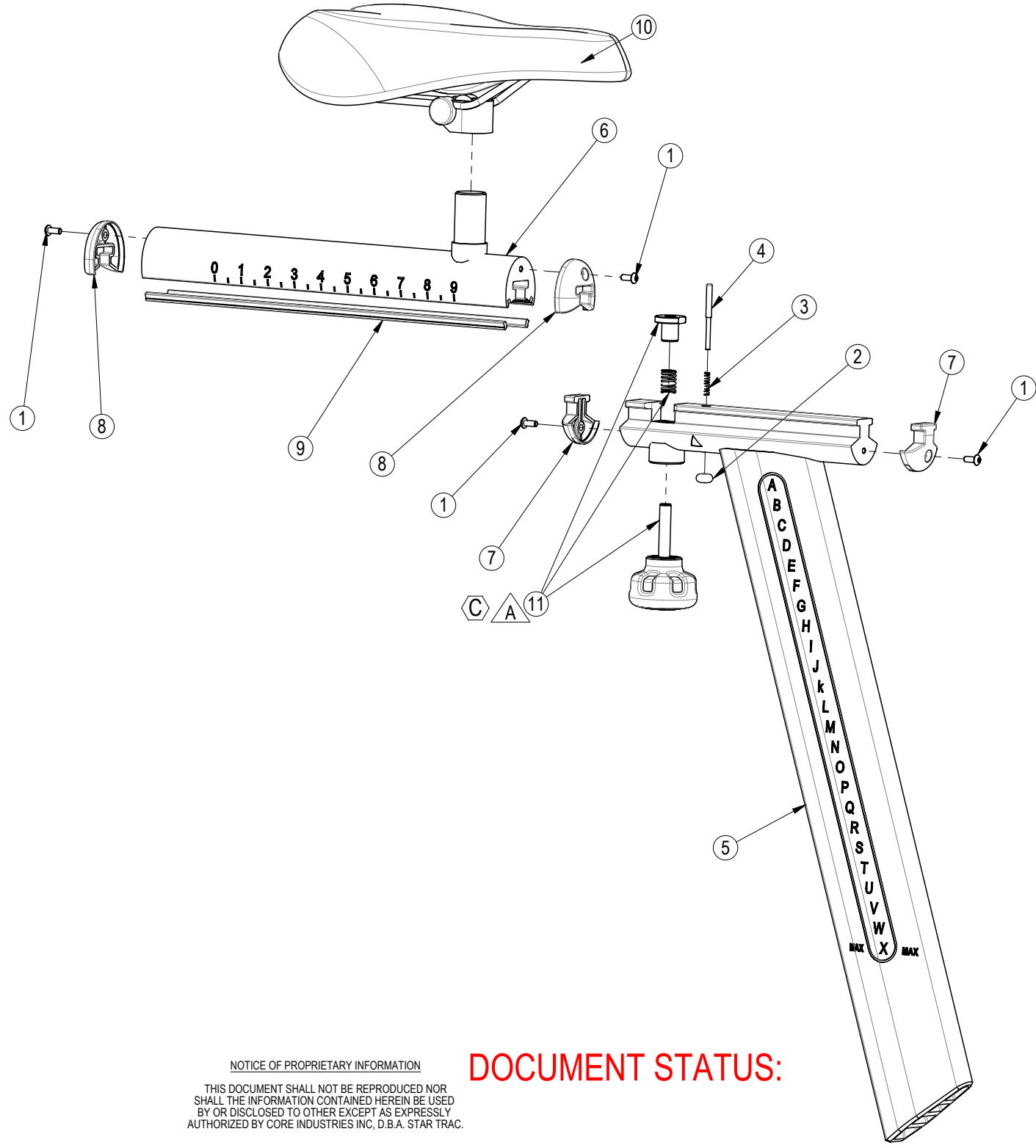
STAR TRAC PART NO. **740-8100** REV **A**

TITLE **ASSY, FLYWHEEL, W/CLUTCH, E-SP**

SCALE: 1:4 | SHEET 1 OF 1 | SHEET SIZE: B

REVISION HISTORY				
REV	DATE	DESCRIPTION	ECO	BY
A	3/7/2011	PRODUCTION RELEASE	13486	DMM
B	7/28/2011	REMOVED 740-8003 AND 740-8004, REPLACED WITH 740-7651 AND 740-7652; ADDED 740-8076; 740-7649 NOW HAS 9 PT ADJUSTMENT	13555	DMM
C	3/23/2012	ADDED KIT 740-8263-KT	13720	DMM

J  
I  
H  
G  
F  
E  
D  
C  
B  
A



NOTICE OF PROPRIETARY INFORMATION  
THIS DOCUMENT SHALL NOT BE REPRODUCED NOR SHALL THE INFORMATION CONTAINED HEREIN BE USED BY OR DISCLOSED TO OTHER EXCEPT AS EXPRESSLY AUTHORIZED BY CORE INDUSTRIES INC, D.B.A. STAR TRAC.

**DOCUMENT STATUS:**

ITEM NO.	PART NUMBER	DESCRIPTION	QTY
1	740-7181	SCREW, M4X0.7X10, BHC, HE, SS	4
2	740-7270	KNOB, SEAT SLIDER, STOPPER	1
3	740-7271	SPRING, SEAT SLIDER, NXT	1
4	740-7526	PIN, STOP, SEAT SLIDER	1
5	740-7565	WELDMENT, SEAT POST	1
6	740-7649	WELDMENT, SEAT SLIDER, SPINNER	1
7	740-7651	END CAP, SLIDER, MALE	2
8	740-7652	END CAP, SLIDER, FEMALE	2
9	740-8076	INSERT, SLIDER, HBAR AND SEAT	2
10	740-8077	SADDLE, SILVER, NXT	1
11	740-8263-KT	KIT, SEAT KNOB, F/A ADJUST, SPINNER	1

NOTES:  
C A PART OF KIT 740-8263-KT.

CLASS OF WORK	UNLESS OTHERWISE SPECIFIED DIMS ARE IN mm. TOLERANCES FOR MEASURE OF LENGTH ARE:							ANGLES = ±2°
	0.5 to 3	>3 to 6	>6 to 30	>30 to 120	>120 to 400	>400 to 1000	>1000 to 2000	
FINE	±0.05	±0.05	±0.1	±0.15	±0.2	±0.3	±0.5	----
MEDIUM	±0.1	±0.1	±0.2	±0.3	±0.5	±0.8	±1.2	±2
COARSE	X ±0.2	±0.3	±0.5	±0.8	±1.2	±2	±3	±4
VERY COARSE	----	±0.5	±1	±1.5	±2.5	±4	±6	±8

MATERIAL SEE BOM  
FINISH N/A  
VENDOR: P/N:

THIRD ANGLE PROJECTION

CORE IND INC., DBA **STAR TRAC** 14410 Myford Road Irvine CA 92606

STAR TRAC PART NO **740-7566** REV **C**

TITLE **ASSY, SEAT POST**

U.O.M. MM SCALE: 1:10 | SHEET 1 OF 1 | SHEET SIZE: B

10 9 8 7 6 5 4 3 2 1

H NOTES:

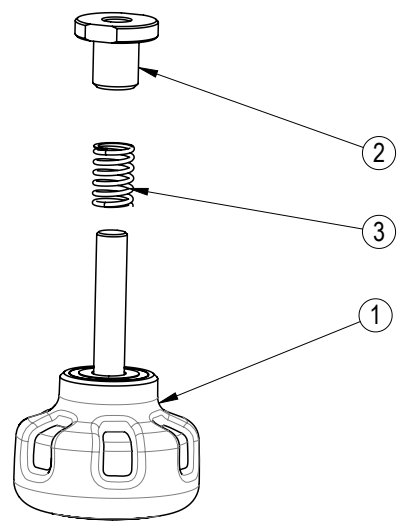
REVISION HISTORY				
REV	DATE	DESCRIPTION	ECO	BY
A	3/23/2012	PRODUCTION RELEASE	13720	DMM

G

F

E

D



C

B

A

CLASS OF WORK	FINE	MEDIUM	COARSE	VERY COARSE
		X		

UNLESS OTHERWISE SPECIFIED DIMS ARE IN mm. TOLERANCES FOR MEASURE OF LENGTH ARE: ANGLES ±2°	0.5 to 3	±0.05	±0.1	±0.2	----
	> 3 to 6	±0.05	±0.1	±0.3	±0.5
	> 6 to 30	±0.1	±0.2	±0.5	±1
	> 30 to 120	±0.15	±0.3	±0.8	±1.5
	> 120 to 400	±0.2	±0.5	±1.2	±2.5
	> 400 to 1000	±0.3	±0.8	±2	±4
	> 1000 to 2000	±0.5	±1.2	±3	±6
	> 2000	----	±2	±4	±8

**DOCUMENT STATUS:**

NOTICE OF PROPRIETARY INFORMATION  
 THIS DOCUMENT SHALL NOT BE REPRODUCED NOR SHALL THE INFORMATION CONTAINED HEREIN BE USED BY OR DISCLOSED TO OTHER EXCEPT AS EXPRESSLY AUTHORIZED BY CORE INDUSTRIES INC, D.B.A. STAR TRAC.

MATERIAL  
SEE BOM

FINISH  
N/A

VENDOR: N/A P/N: N/A

ITEM NO.	PART NUMBER	DESCRIPTION	QTY.
1	740-8263	KNOB, ADJUST, W/ BRASS INSERT	1
2	740-8329	HOLDING NUT, SEAT SLIDER, SPINNER	1
3	740-8330	SPRING, FORE/AFT ADJUST, SPINNER	1

THIRD ANGLE PROJECTION

DRAWN	INITIAL DMM	DATE 03/22/12
CHECKED		
APPROVED		
	U.O.M.	MM

CORE INDUSTRIES INC., DBA  
 14410 Myford Road  
 Irvine CA 92606

STAR TRAC PART NO  
**740-8263-KT**

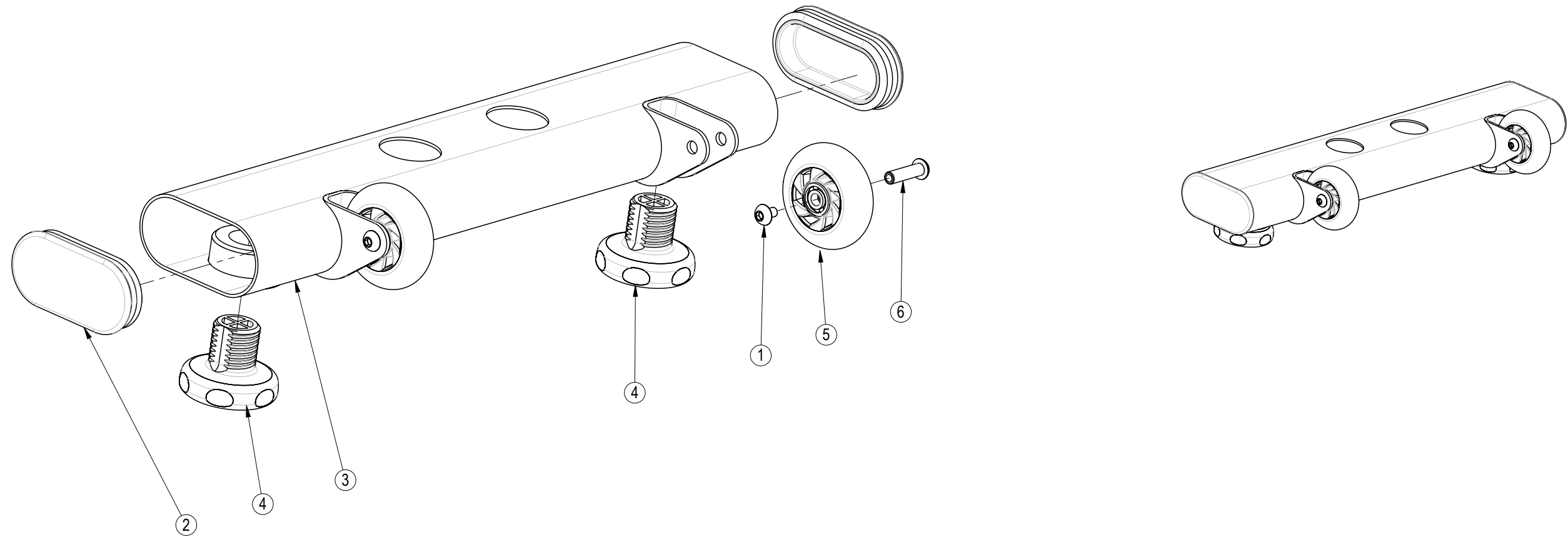
REV  
**A**

TITLE  
**KIT, SEAT KNOB, F/A ADJUST, SPINNER**

SCALE: 1:2 | SHEET 1 OF 1 | SHEET SIZE: A

10 9 8 7 6 5 4 3 2 1

REVISION HISTORY				
REV	DATE	DESCRIPTION	ECO	BY
A	3/7/2011	PRODUCTION RELEASE	13486	DMM



NOTICE OF PROPRIETARY INFORMATION  
 THIS DOCUMENT SHALL NOT BE REPRODUCED NOR  
 SHALL THE INFORMATION CONTAINED HEREIN BE USED  
 BY OR DISCLOSED TO OTHER EXCEPT AS EXPRESSLY  
 AUTHORIZED BY CORE INDUSTRIES INC, D.B.A. STAR TRAC.

**DOCUMENT STATUS:**

ITEM NO.	PART NUMBER	DESCRIPTION	QTY
1	740-7187	SCREW, M6X1.25X10, BHC, HE, SS	2
2	740-7558	END CAP, STABILIZER	2
3	740-7568	WELD, FRONT STABILIZER	1
4	740-7656	FEET, LEVELING, SPINNER	2
5	740-8006	WHEEL, FRONT FOOT, SPINNER	2
6	740-8007	BOLT, WHEEL, NXT	2

NOTES:

CLASS OF WORK	UNLESS OTHERWISE SPECIFIED DIMS ARE IN mm. TOLERANCES FOR MEASURE OF LENGTH ARE:								ANGLES = ±2°
	0.5 to 3	> 3 to 6	> 6 to 30	> 30 to 120	> 120 to 400	> 400 to 1000	> 1000 to 2000	> 2000	
FINE	±0.05	±0.05	±0.1	±0.15	±0.2	±0.3	±0.5	----	
MEDIUM	±0.1	±0.1	±0.2	±0.3	±0.5	±0.8	±1.2	±2	
COARSE	X ±0.2	±0.3	±0.5	±0.8	±1.2	±2	±3	±4	
VERY COARSE	----	±0.5	±1	±1.5	±2.5	±4	±6	±8	

MATERIAL  
SEE BOM

FINISH  
N/A

VENDOR: N/A

P/N: N/A

THIRD ANGLE PROJECTION



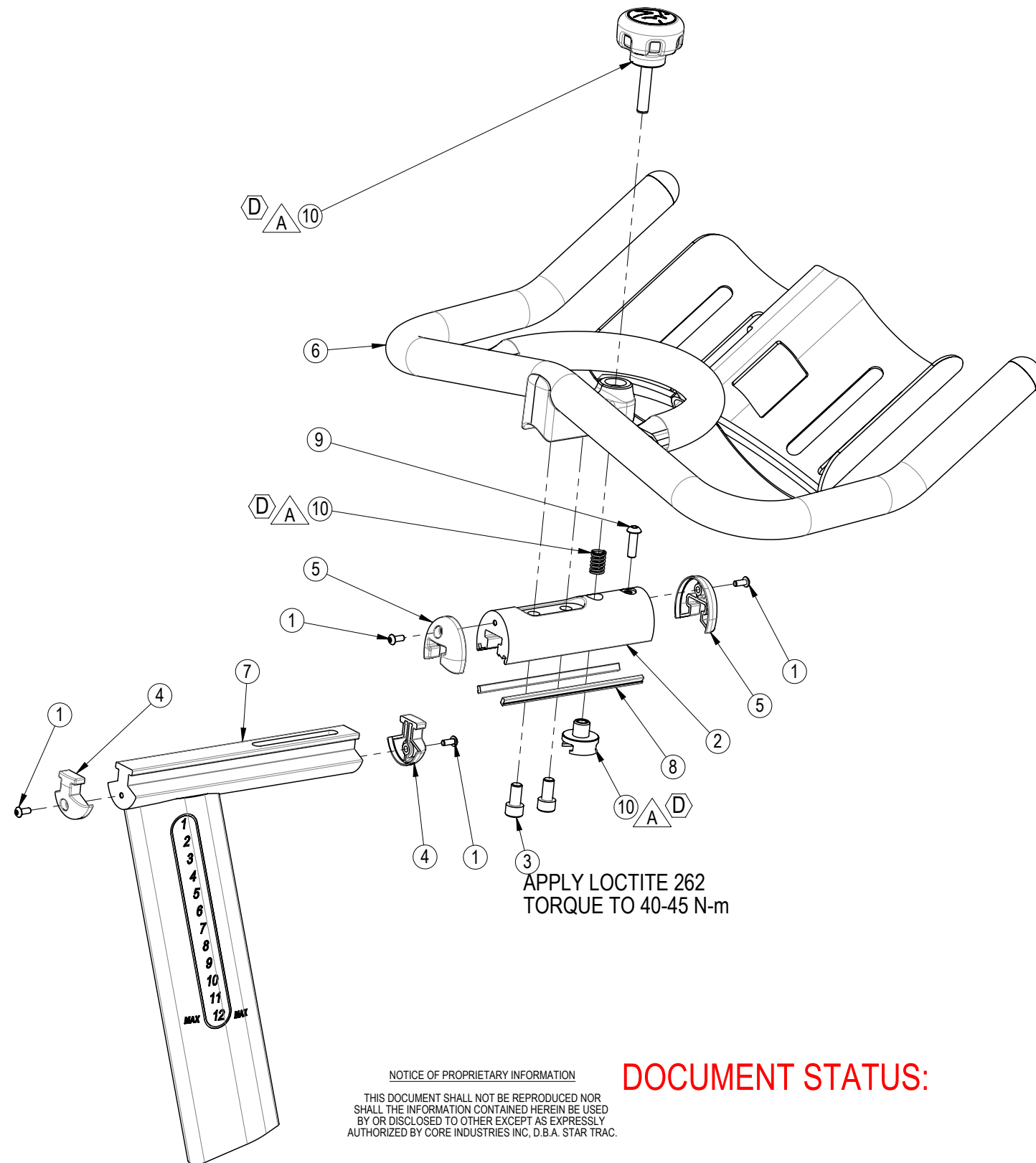
DRAWN	INITIAL DMM	DATE 03/07/2011
CHECKED		
APPROVED		

CORE IND INC., DBA 14410 Myford Road  
 Irvine CA 92606

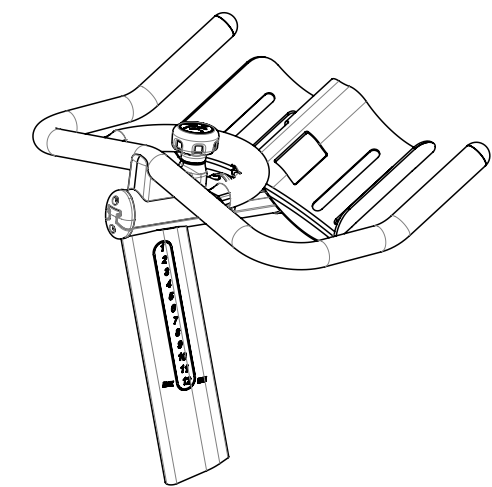
STAR TRAC PART NO. **740-7567** REV **A**

TITLE  
**ASSY, STABILIZER, FRONT**

U.O.M. MM SCALE: 1:3 | SHEET 1 OF 1 | SHEET SIZE: B



REVISION HISTORY				
REV	DATE	DESCRIPTION	ECO	BY
A	3/7/2011	PRODUCTION RELEASE	13486	DMM
B	7/28/2011	REMOVED 740-8003 AND 740-8004, REPLACED WITH 740-7651 AND 740-7652; 740-8177 WAS 740-8005; 740-7591 MODIFIED FOR LARGER SCREW; ADDED 740-8076	13555	DMM
C	11/7/2011	CHANGE FROM "SCREW, M8 X 20mm, BHS, HE, SS" TO "SCREW, M6 X1x20L, BH, HE, AS, BO"	13608	SD
D	3/23/2012	ADDED KIT 740-7626-KT	13720	DMM



APPLY LOCTITE 262  
TORQUE TO 40-45 N-m

NOTICE OF PROPRIETARY INFORMATION  
THIS DOCUMENT SHALL NOT BE REPRODUCED NOR SHALL THE INFORMATION CONTAINED HEREIN BE USED BY OR DISCLOSED TO OTHER EXCEPT AS EXPRESSLY AUTHORIZED BY CORE INDUSTRIES INC, D.B.A. STAR TRAC.

DOCUMENT STATUS:

ITEM NO.	PART NUMBER	DESCRIPTION	QTY
1	740-7181	SCREW, M4X0.7X10, BHC, HE, SS	4
2	740-7591	SLIDER, HANDLEBAR, TOP	1
3	740-7620	SCREW, M8X1.25, 20mm, SHCS	2
4	740-7651	END CAP, SLIDER, MALE	2
5	740-7652	END CAP, SLIDER, FEMALE	2
6	740-7673	WELDMENT, HANDLEBAR, PVC DIPPED	1
7	740-7678	WELDMENT, HBAR POST	1
8	740-8076	INSERT, SLIDER, HBAR AND SEAT	2
9	740-8177	SCREW, M6X1x20L, BH, HE, AS,BO	1
10	740-7626-KT	KIT, HBAR KNOB, F/A ADJUST, SPINNER	1

CLASS OF WORK	UNLESS OTHERWISE SPECIFIED DIMS ARE IN mm. TOLERANCES FOR MEASURE OF LENGTH ARE:							ANGLES = ±2°	MATERIAL SEE BOM
	0.5 to 3	> 3 to 6	> 6 to 30	> 30 to 120	> 120 to 400	> 400 to 1000	> 1000 to 2000		
FINE	±0.05	±0.05	±0.1	±0.15	±0.2	±0.3	±0.5	----	FINISH N/A
MEDIUM	±0.1	±0.1	±0.2	±0.3	±0.5	±0.8	±1.2	±2	
COARSE	X ±0.2	±0.3	±0.5	±0.8	±1.2	±2	±3	±4	
VERY COARSE	----	±0.5	±1	±1.5	±2.5	±4	±6	±8	

VENDOR: N/A P/N: N/A

THIRD ANGLE PROJECTION	
DRAWN	INITIAL DMM
CHECKED	DATE 03/07/2011
APPROVED	

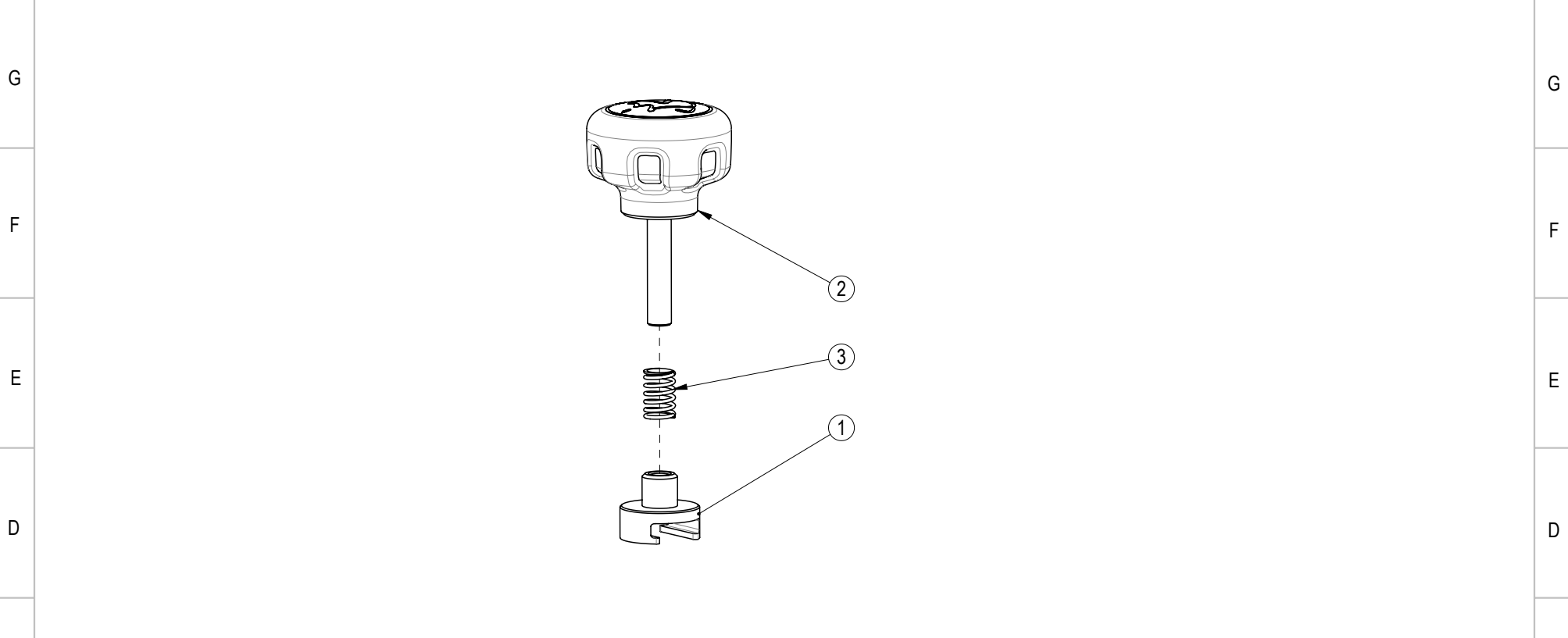
CORE IND INC., DBA  

 14410 Myford Road  
Irvine CA 92606  
 STAR TRAC PART NO  
**740-7589**  
 TITLE  
**ASSY, HANDLEBAR, W/ FORE-AFT**  
 SCALE: 1:10 | SHEET 1 OF 1 | SHEET SIZE: B

NOTES:  
 PART OF KIT 740-7626-KT.

H NOTES:

REVISION HISTORY				
REV	DATE	DESCRIPTION	ECO	BY
A	3/23/2012	PRODUCTION RELEASE	13270	DMM



CLASS OF WORK	FINE	MEDIUM	COARSE	VERY COARSE	
		±0.05	±0.1	±0.2	---
UNLESS OTHERWISE SPECIFIED DIMS ARE IN mm. TOLERANCES FOR MEASURE OF LENGTH ARE: ANGLES ±2°	0.5 to 3	±0.05	±0.1	±0.2	---
	> 3 to 6	±0.05	±0.1	±0.3	±0.5
	> 6 to 30	±0.1	±0.2	±0.5	±1
	> 30 to 120	±0.15	±0.3	±0.8	±1.5
	> 120 to 400	±0.2	±0.5	±1.2	±2.5
	> 400 to 1000	±0.3	±0.8	±2	±4
	> 1000 to 2000	±0.5	±1.2	±3	±6
> 2000	---	±2	±4	±8	

**DOCUMENT STATUS:**

NOTICE OF PROPRIETARY INFORMATION  
 THIS DOCUMENT SHALL NOT BE REPRODUCED NOR SHALL THE INFORMATION CONTAINED HEREIN BE USED BY OR DISCLOSED TO OTHER EXCEPT AS EXPRESSLY AUTHORIZED BY CORE INDUSTRIES INC, D.B.A. STAR TRAC.

MATERIAL  
SEE BOM

FINISH  
N/A

VENDOR: N/A P/N: N/A

ITEM NO.	PART NUMBER	DESCRIPTION	QTY.
1	740-7626	HOLDING NUT, SEAT SLIDER, NXT/E-SPINNER	1
2	740-8263	KNOB, ADJUST, W/ BRASS INSERT	1
3	740-8330	SPRING, FORE/AFT ADJUST, SPINNER	1

THIRD ANGLE PROJECTION		
DRAWN	INITIAL DMM	DATE 03/22/12
CHECKED		
APPROVED		
	U.O.M.	MM

CORE INDUSTRIES INC., DBA  
 14410 Myford Road  
 Irvine CA 92606

STAR TRAC PART NO  
**740-7626-KT**

TITLE  
**KIT, HBAR KNOB, F/A ADJUST, SPINNER**

SCALE: 1:2 | SHEET 1 OF 1 | SHEET SIZE: A

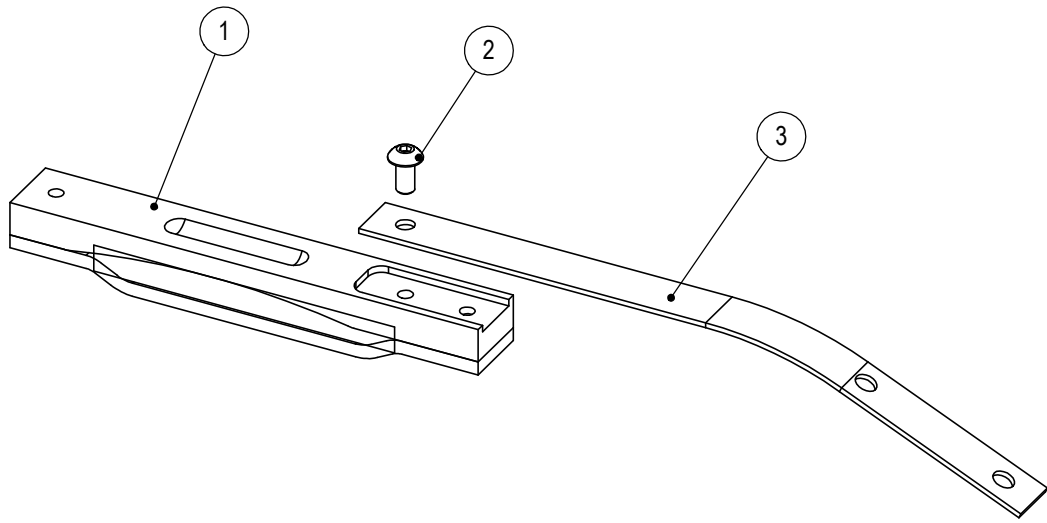
10 9 8 7 6 5 4 3 2 1

H  
G  
F  
E  
D  
C  
B  
A

NOTES:

**REVISION HISTORY**

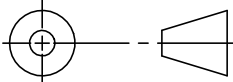
REV	DATE	DESCRIPTION	ECO	BY
CS001	10/14/11	CUSTOMER SUPPORT REFERENCE RELEASE	N/A	JEB



ITEM NO.	PART NUMBER	DESCRIPTION	QTY.
1	740-6872	KIT, ASSY, PAD, BRAKE, SPINNER, 7090/80/70/60	1
2	740-7182	SCREW, M5X0.8X10, BHC, HE, SS	1
3	740-7798	PLATE, STRIP, BRAKE PAD	1

**DOCUMENT STATUS:  
REFERENCE ONLY**

**THIRD ANGLE PROJECTION**



**CORE INDUSTRIES, INC. DBA**



14410 Myford Road  
Irvine CA 92606

NOTICE OF PROPRIETARY INFORMATION  
THIS DOCUMENT SHALL NOT BE REPRODUCED NOR SHALL THE INFORMATION CONTAINED HEREIN BE USED BY OR DISCLOSED TO OTHER EXCEPT AS EXPRESSLY AUTHORIZED BY CORE INDUSTRIES, INC., D.B.A. STAR TRAC.

NOTICE OF REFERENCE ONLY  
THIS DOCUMENT IS FOR REFERENCE ONLY. ANY AND ALL DIMENSIONS LISTED ON THIS DRAWING ARE FOR REFERENCE ONLY AND DO NOT DEFINE ANY MANUFACTURING SPECIFICATIONS OR DESIGN PARAMETERS FOR ANY COMPONENTS DISPLAYED IN THIS DRAWING. THIS DOCUMENT DOES NOT AUTHORIZE ANY ENGINEERING CHANGE ORDER, CHANGE REQUEST, AND/OR CHANGE NOTICE.

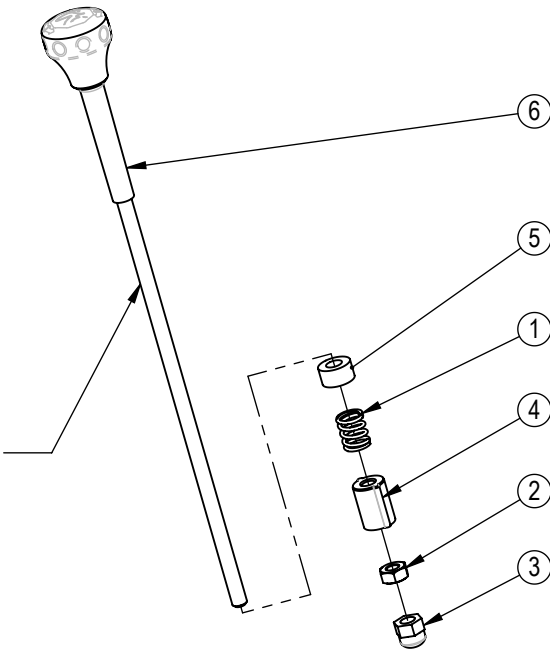
DRAWN	INITIAL JEB	DATE 10/14/11	STARTRAC PART NO. <b>740-7799</b>	REV <b>003</b>
CHECKED			TITLE <b>ASSY, BRAKE PAD</b>	
APPROVED			SCALE: 1:2	SHEET 1 OF 1
	U.O.M.	INCH		SHEET SIZE: A

10 9 8 7 6 5 4 3 2 1

NOTES:

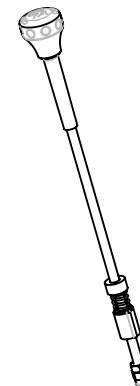
REVISION HISTORY				
REV	DATE	DESCRIPTION	ECO	BY
A	3/7/2011	PRODUCTION RELEASE	13486	DMM

APPLY HIGH QUALITY MOLY-BASED LITHIUM GREASE TO ENTIRE LENGTH OF THREAD



APPLY GREASE TO INSIDE AND OUTSIDE OF ITEM **740-7573**

TORQUE TO 80-85 N-m



**DOCUMENT STATUS:**

NOTICE OF PROPRIETARY INFORMATION

THIS DOCUMENT SHALL NOT BE REPRODUCED NOR SHALL THE INFORMATION CONTAINED HEREIN BE USED BY OR DISCLOSED TO OTHER EXCEPT AS EXPRESSLY AUTHORIZED BY CORE INDUSTRIES INC, D.B.A. STAR TRAC.

MATERIAL  
SEE BOM

FINISH

VENDOR:

P/N:

ITEM NO.	PART NUMBER	DESCRIPTION	QTY
1	<b>740-7124</b>	SPRING, BRAKE KNOB	1
2	740-7178	NUT, M10X1.5, HE, SS	1
3	<b>740-7189</b>	NUT, M10X1.5, ACORN, SS	1
4	<b>740-7573</b>	BUSHING, THREADED, BRAKE	1
5	<b>740-7598</b>	CUSHION, BRAKE ASSY	1
6	<b>740-7669</b>	ASSY, KNOB, BRAKE, SPINNER	1

CLASS OF WORK	FINE	MEDIUM	COARSE	VERY COARSE
			X	

UNLESS OTHERWISE SPECIFIED DIMS ARE IN mm. TOLERANCES FOR MEASURE OF LENGTH ARE: ANGLES ±2°	0.5 to 3	±0.05	±0.1	±0.2	----
	> 3 to 6	±0.05	±0.1	±0.3	±0.5
	> 6 to 30	±0.1	±0.2	±0.5	±1
	> 30 to 120	±0.15	±0.3	±0.8	±1.5
	> 120 to 400	±0.2	±0.5	±1.2	±2.5
	> 400 to 1000	±0.3	±0.8	±2	±4
	> 1000 to 2000	±0.5	±1.2	±3	±6
	> 2000	----	±2	±4	±8

THIRD ANGLE PROJECTION



CORE IND INC., DBA



14410 Myford Road  
Irvine CA 92606

STAR TRAC PART NO

**740-7995**

REV

**A**

TITLE

ASSY, BRAKE, ADJUSTMENT KNOB

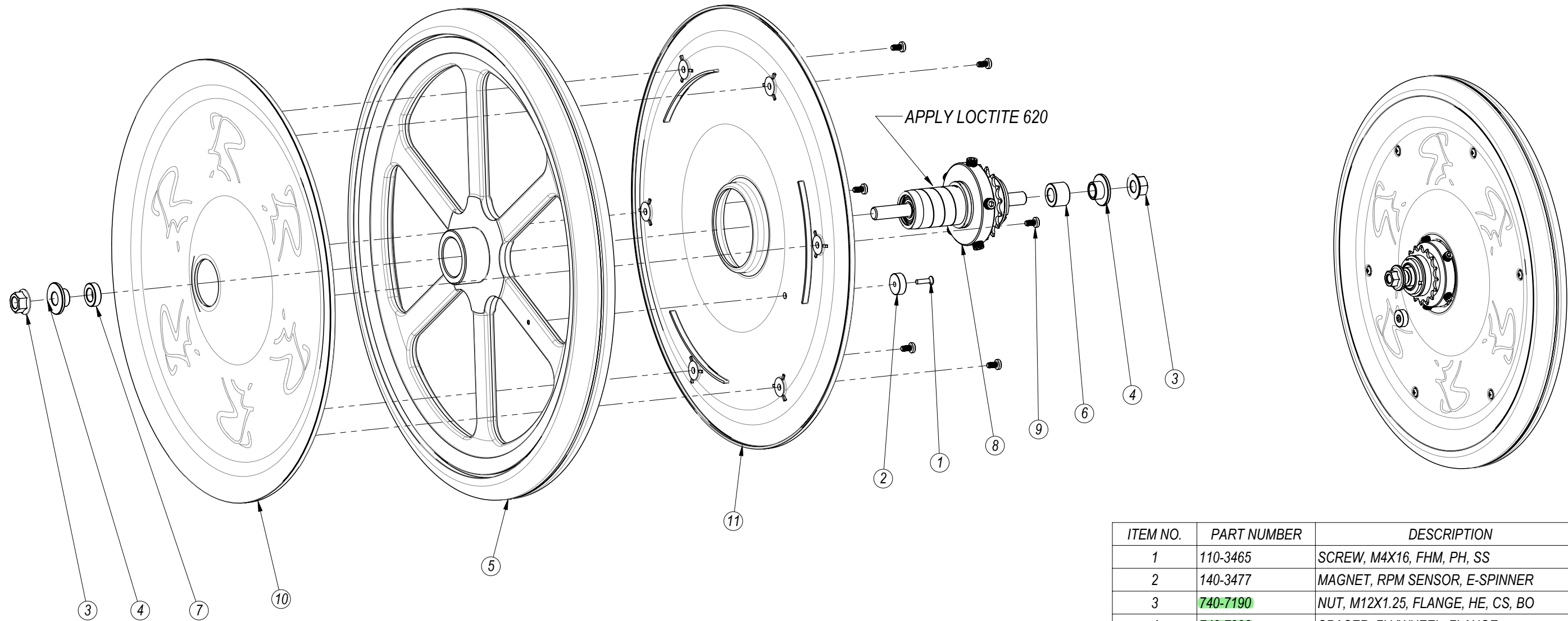
SCALE: 1:5

SHEET 1 OF 1

SHEET SIZE: A



REVISION HISTORY				
REV	DATE	DESCRIPTION	ECO	BY
A	7/27/2011	PRODUCTION RELEASE	13555	DMM



ITEM NO.	PART NUMBER	DESCRIPTION	QTY.
1	110-3465	SCREW, M4X16, FHM, PH, SS	1
2	140-3477	MAGNET, RPM SENSOR, E-SPINNER	1
3	740-7190	NUT, M12X1.25, FLANGE, HE, CS, BO	2
4	740-7998	SPACER, FLYWHEEL, FLANGE	2
5	740-8101	FLYWHEEL, eSPINNER	1
6	740-8149	SPACER, FLYWHEEL, R	1
7	740-8154	SPACER, FLYWHEEL, E-SP, L	1
8	740-8173	CLUTCH WHUB, FLYWHEEL, eSP	1
9	740-8174	SCREW, M4.8 X 10mm, PHT, PH, SS	6
10	740-8175	SHROUD, FLYWHEEL, L, E-SP	1
11	740-8176	SHROUD, FLYWHEEL, R, E-SP	1

NOTICE OF PROPRIETARY INFORMATION  
 THIS DOCUMENT SHALL NOT BE REPRODUCED NOR SHALL THE INFORMATION CONTAINED HEREIN BE USED BY OR DISCLOSED TO OTHER EXCEPT AS EXPRESSLY AUTHORIZED BY CORE INDUSTRIES INC, D.B.A. STAR TRAC.

**DOCUMENT STATUS:**

NOTES:

1. APPLY ABS-COMPATIBLE SILICONE SEALANT TO THE PERIPHERY OF ITEMS 10 AND 11 PRIOR TO ASSEMBLY.

CLASS OF WORK	UNLESS OTHERWISE SPECIFIED DIMS ARE IN mm. TOLERANCES FOR MEASURE OF LENGTH ARE:							ANGLES = ±2°
	0.5 to 3	> 3 to 6	> 6 to 30	> 30 to 120	> 120 to 400	> 400 to 1000	> 1000 to 2000	
FINE	±0.05	±0.05	±0.1	±0.15	±0.2	±0.3	±0.5	----
MEDIUM	±0.1	±0.1	±0.2	±0.3	±0.5	±0.8	±1.2	±2
COARSE	X ±0.2	±0.3	±0.5	±0.8	±1.2	±2	±3	±4
VERY COARSE	----	±0.5	±1	±1.5	±2.5	±4	±6	±8

MATERIAL  
SEE BOM

FINISH  
N/A

VENDOR:

P/N:

THIRD ANGLE PROJECTION



DRAWN	INITIAL DMM	DATE 07/27/2011
CHECKED		
APPROVED		

CORE IND INC., DBA  
 14410 Myford Road  
 Irvine CA 92606

STAR TRAC PART NO  
**740-8100** REV **A**

TITLE  
**ASSY, FLYWHEEL, W/CLUTCH, E-SP**

SCALE: 1:4 | SHEET 1 OF 1 | SHEET SIZE: B